



Installation instructions, accessories

Volvo Car Corporation Gothenburg, Sweden

Instruction No	Version	Part. No.
31408864	1.3	31428816, 31435840, 31435857

Parking assistance, camera, rear



IMG-389852



Installation instructions, accessories

Volvo Car Corporation Gothenburg, Sweden

Special tools

999 5919 PULLER (SEAL-PINION,CAM-CRANKSHAFT)B200-6304

Tool number:999 5919

Tool description:PULLER (SEAL-PINION,CAM-CRANKSHAFT)B200-6304

Tool boards:46

Materials

Designation

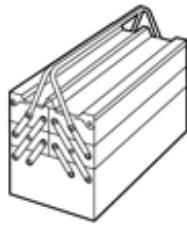
Part number

Electrical tape

Equipment

VIDA

IMG-242205



IMG-345497

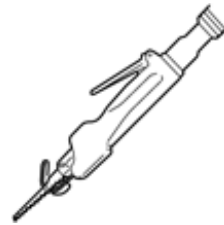


IMG-239664

Nm
lbf.ft



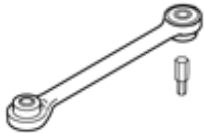
IMG-239660



IMG-240693



IMG-239981

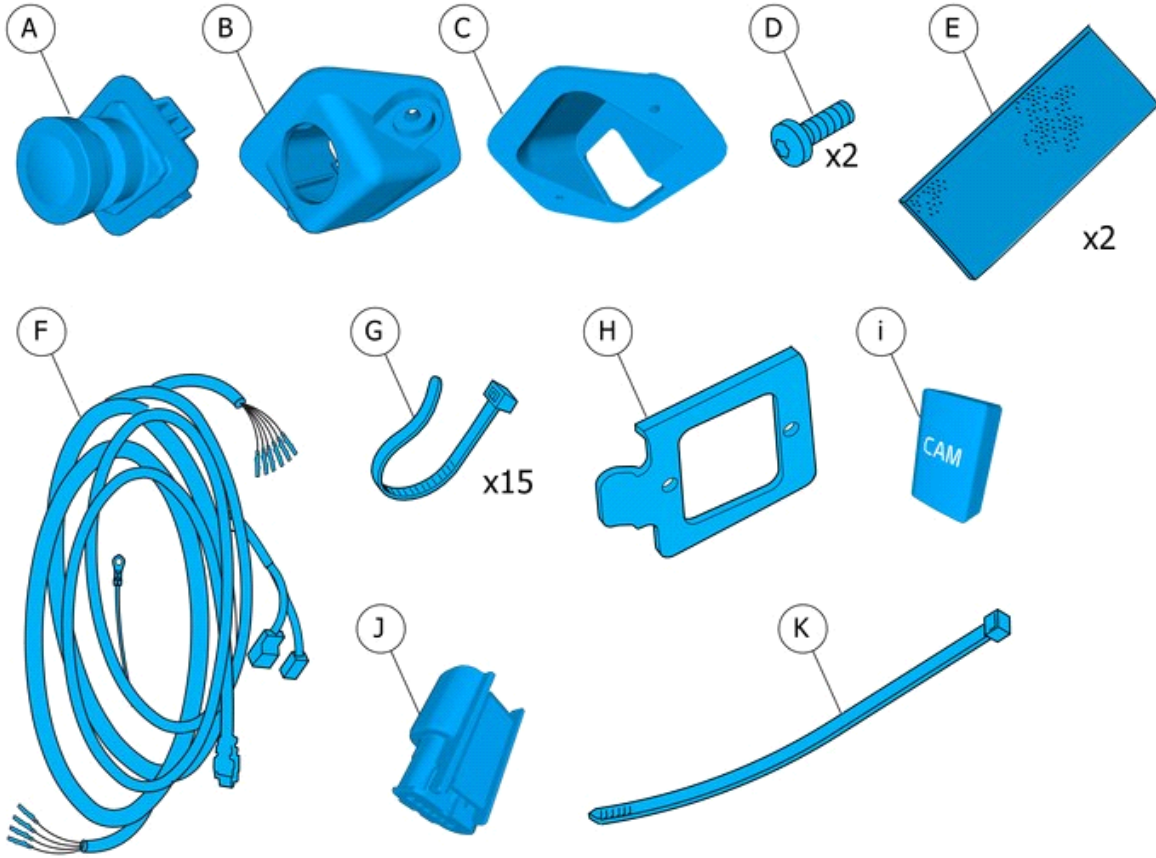


IMG-268803



Installation instructions, accessories

Volvo Car Corporation Gothenburg, Sweden



IMG-402010



Installation instructions, accessories

Volvo Car Corporation Gothenburg, Sweden

Parking assistance, camera, rear

Information

1

Read through all of the instructions before starting installation.

Notifications and warning texts are for your safety and to minimise the risk of something breaking during installation.

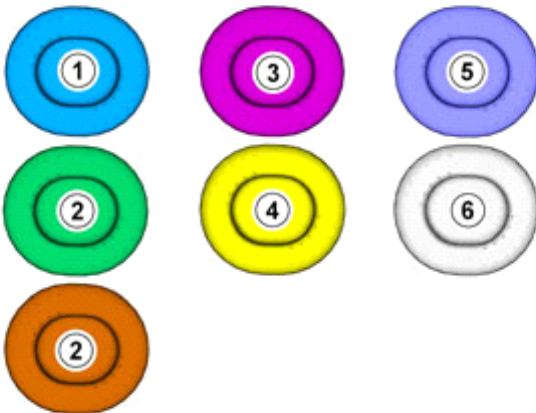
Ensure that all tools stated in the instructions are available before starting installation.

Certain steps in the instructions are only presented in the form of images. Explanatory text is also given for more complicated steps.

In the event of any problems with the instructions or the accessory, contact your local Volvo dealer.

Color symbols

2



IMG-363036

Note!

This colour chart displays (in colour print and electronic version) the importance of the different colours used in the images of the method steps.

1. Used for focused component, the component with which you will do something.
2. Used as extra colors when you need to show or differentiate additional parts.
3. Used for attachments that are to be removed/installed. May be screws, clips, connectors, etc.
4. Used when the component is not fully removed from the vehicle but only hung to the side.
5. Used for standard tools and special tools.
6. Used as background color for vehicle components.

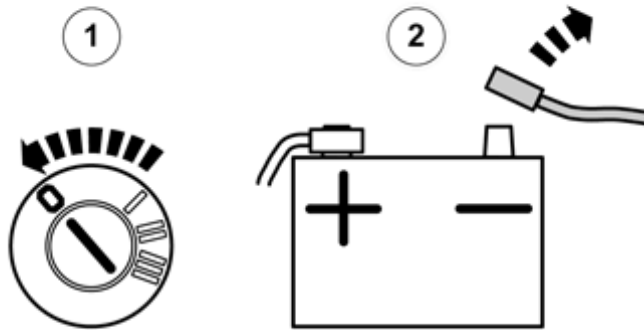
Preparation



Installation instructions, accessories

Volvo Car Corporation Gothenburg, Sweden

3



IMG-335491

Removal

4



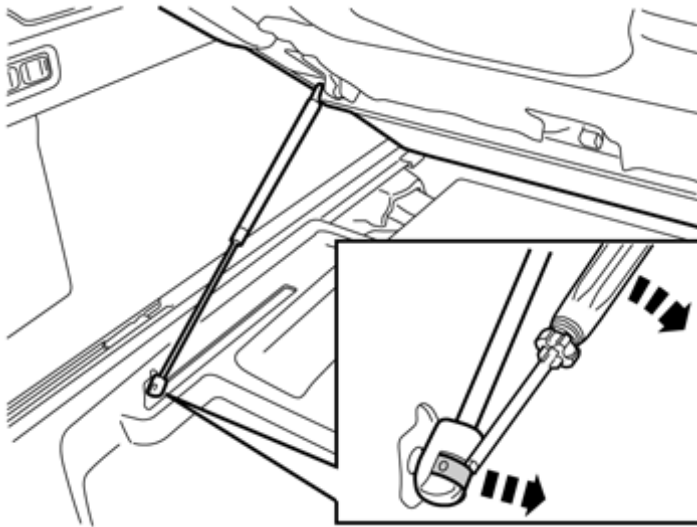
IMG-273525



Installation instructions, accessories

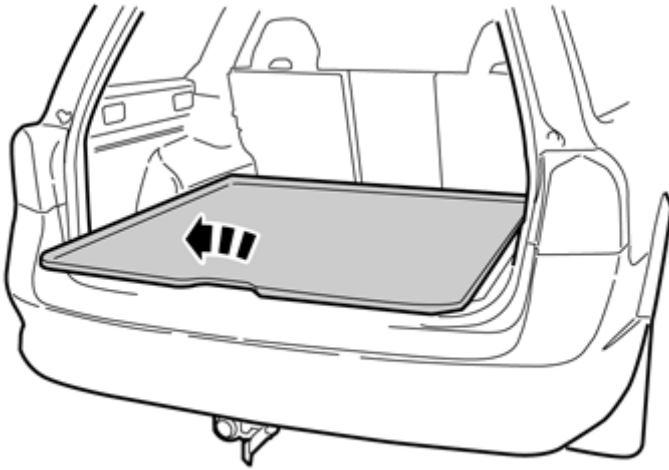
Volvo Car Corporation Gothenburg, Sweden

5



IMG-273526

6



IMG-268004

7



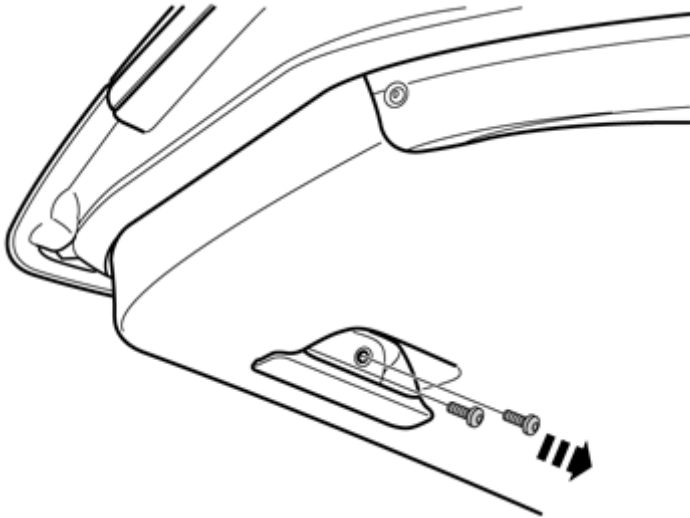
IMG-268005



Installation instructions, accessories

Volvo Car Corporation Gothenburg, Sweden

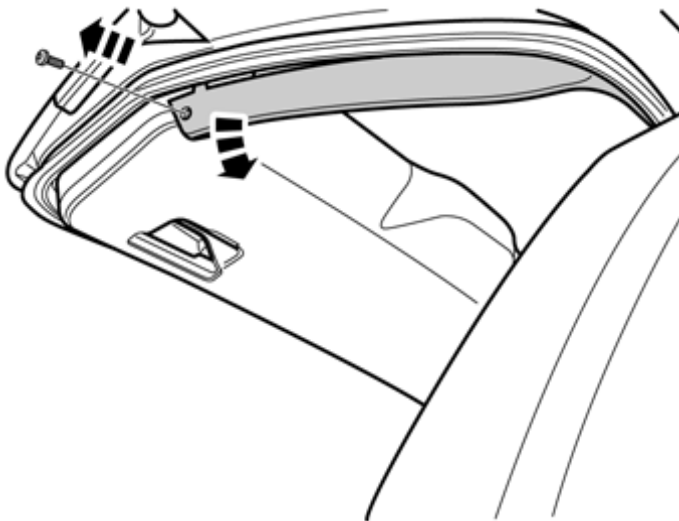
8



Remove the screws.

IMG-268007

9



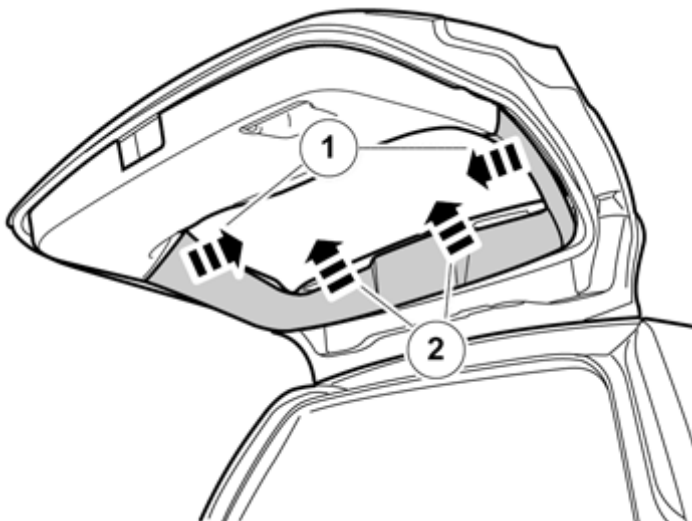
Remove the screw.

Detach the panel.

Repeat on the other side.

IMG-268009

10



Remove the part carefully

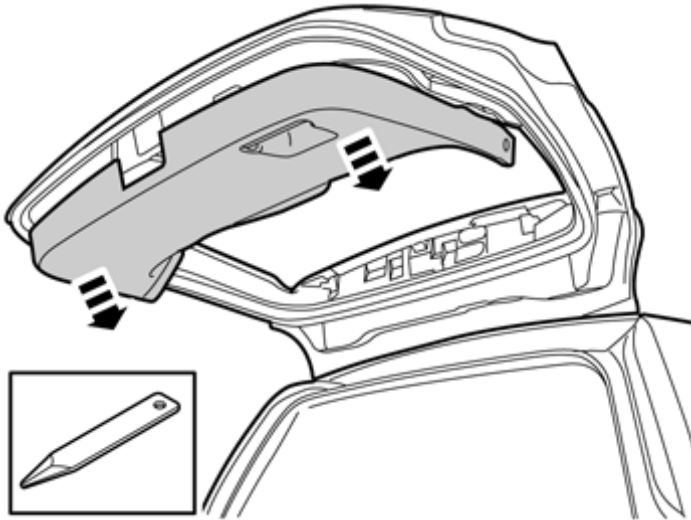
IMG-268011



Installation instructions, accessories

Volvo Car Corporation Gothenburg, Sweden

11



IMG-268010

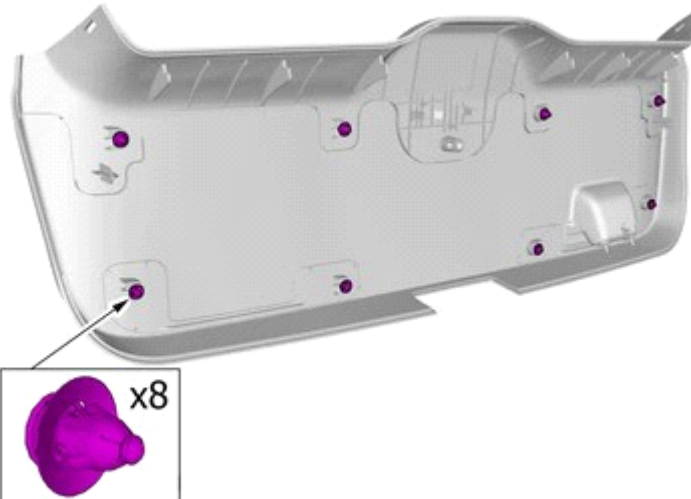
Caution!

Pull carefully.

Remove the part carefully

Disconnect the connector, if applicable.

12



IMG-392004

Caution!

Check that the component does not show deformation damage.

Note!

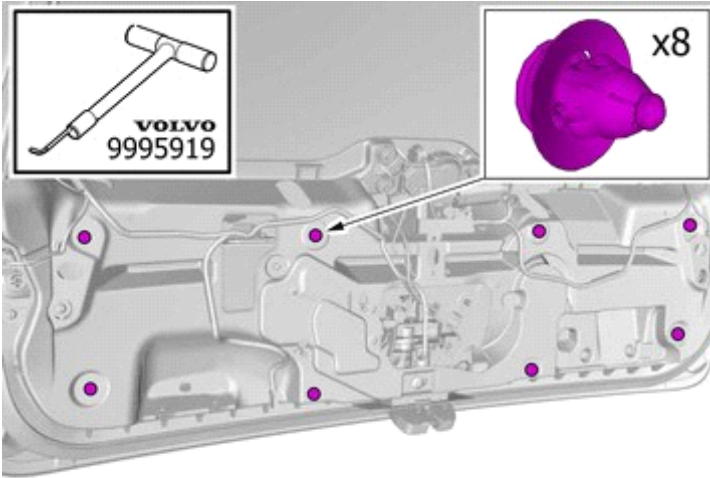
The marked component is a spare part and can be replaced with a new if necessary.



Installation instructions, accessories

Volvo Car Corporation Gothenburg, Sweden

13



Caution!

Check that the component does not show deformation damage.

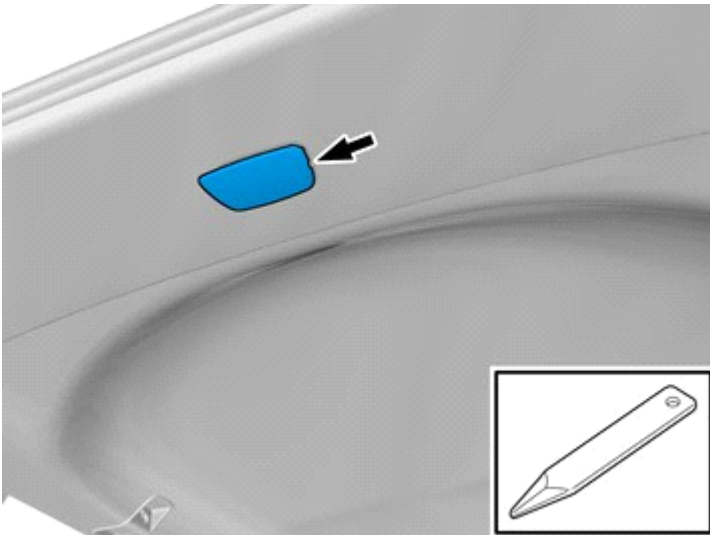
Note!

The marked component is a spare part and can be replaced with a new if necessary.

Use special tool: T9995919, PULLER (SEAL-PINION,CAM-CRANKSHAFT)B200-6304

IMG-392050

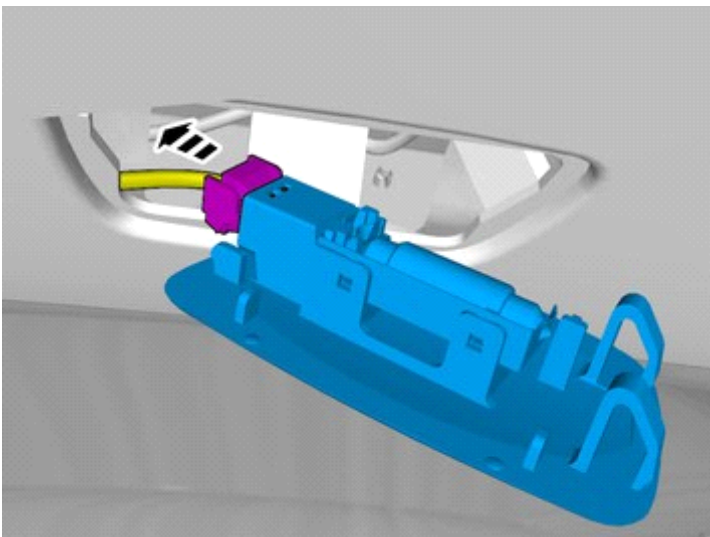
14



Remove the part carefully

IMG-402015

15



Disconnect the connector.

IMG-402022

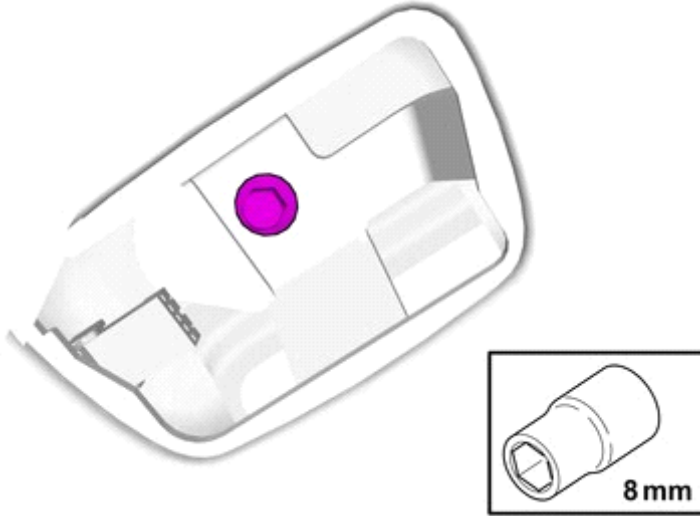


Installation instructions, accessories

Volvo Car Corporation Gothenburg, Sweden

16

Remove the screw.

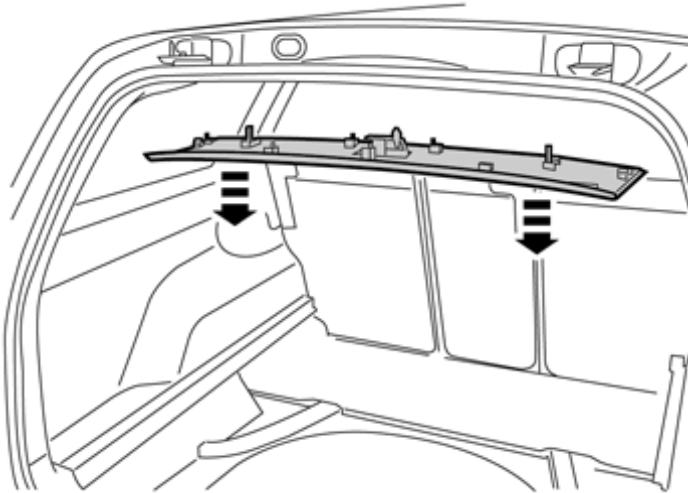


IMG-402021

17

Remove the panel.

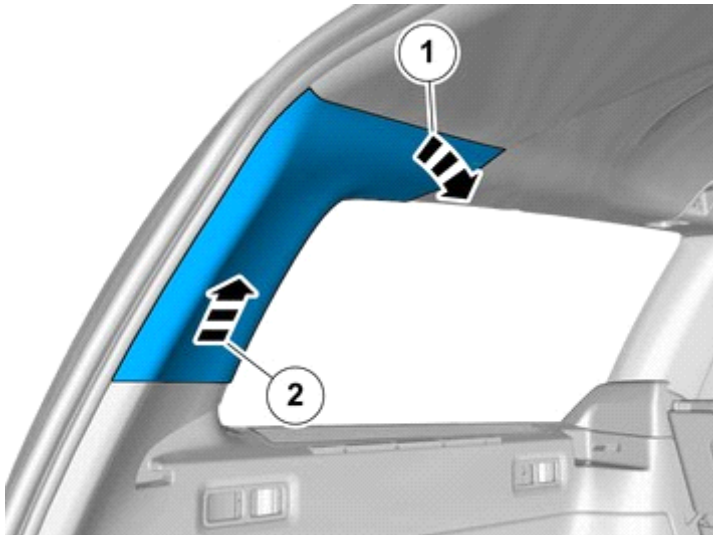
Check that the fasteners are undamaged before installation. If not, they must be replaced with new ones.



IMG-350221

18

Remove the panel.



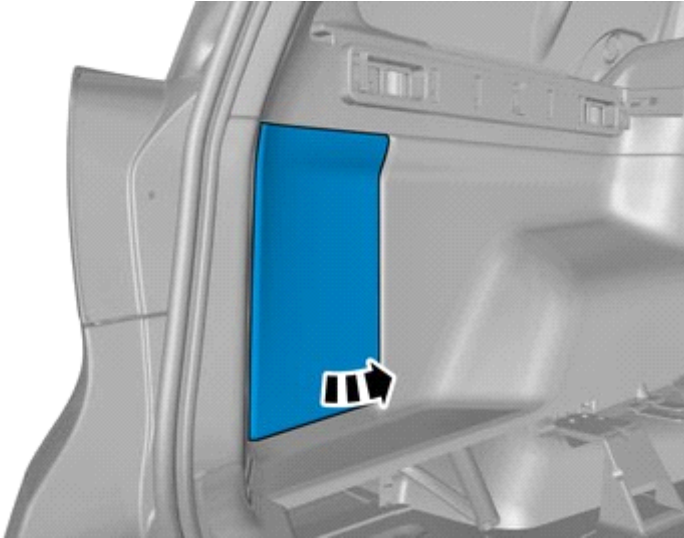
IMG-401980



Installation instructions, accessories

Volvo Car Corporation Gothenburg, Sweden

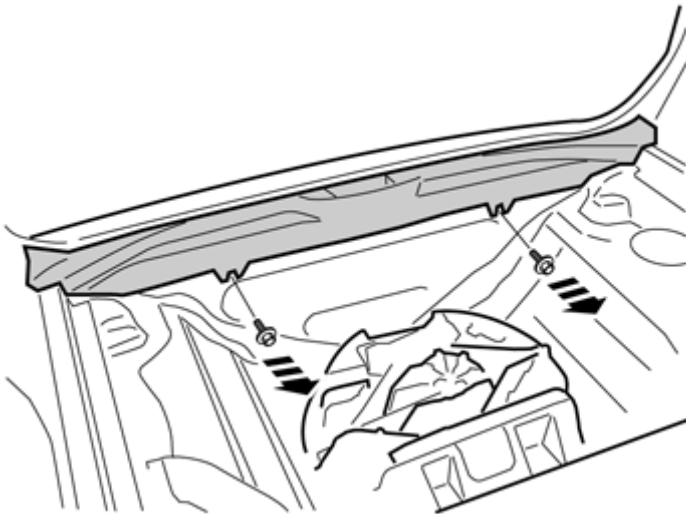
19



IMG-399272

Remove the panel.

20



IMG-259759

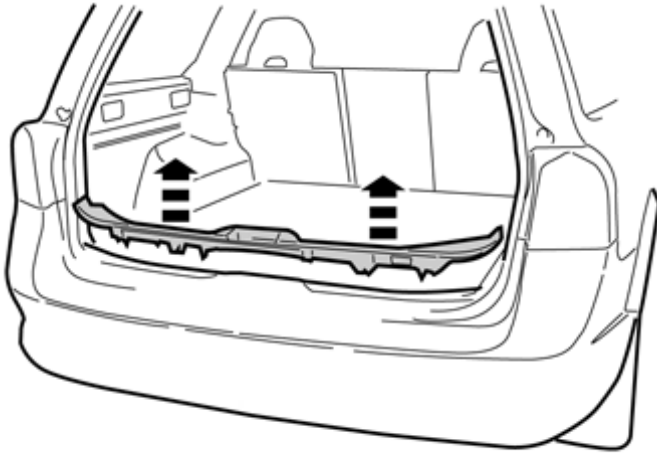
Remove the screws.



Installation instructions, accessories

Volvo Car Corporation Gothenburg, Sweden

21



Remove the panel.

Check that the fasteners are undamaged before installation. If not, they must be replaced with new ones.

IMG-268016

Accessory installation

22



Note!
Orientation view

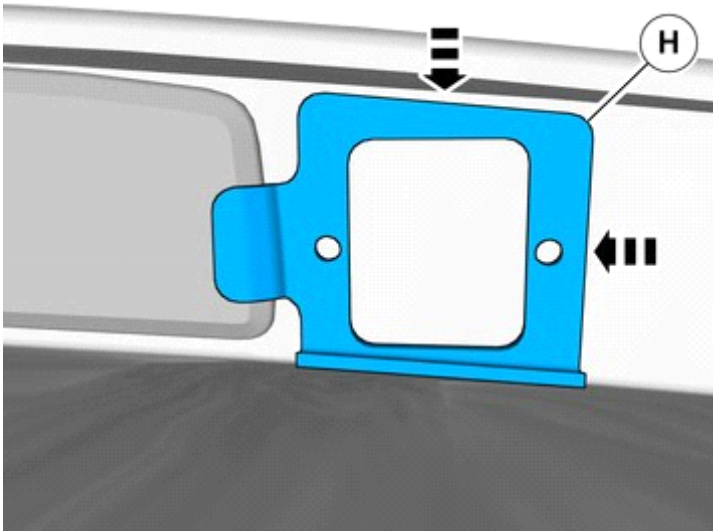
IMG-402036



Installation instructions, accessories

Volvo Car Corporation Gothenburg, Sweden

23

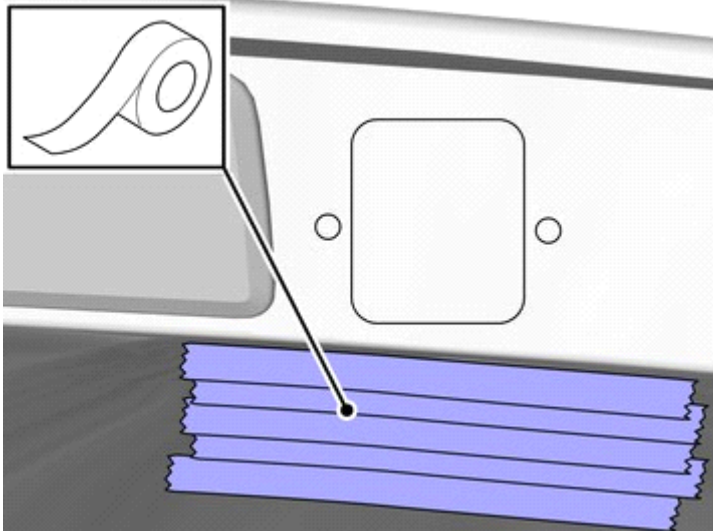


IMG-402035

Place the component where indicated in the graphic.

Scribe/mark up

24



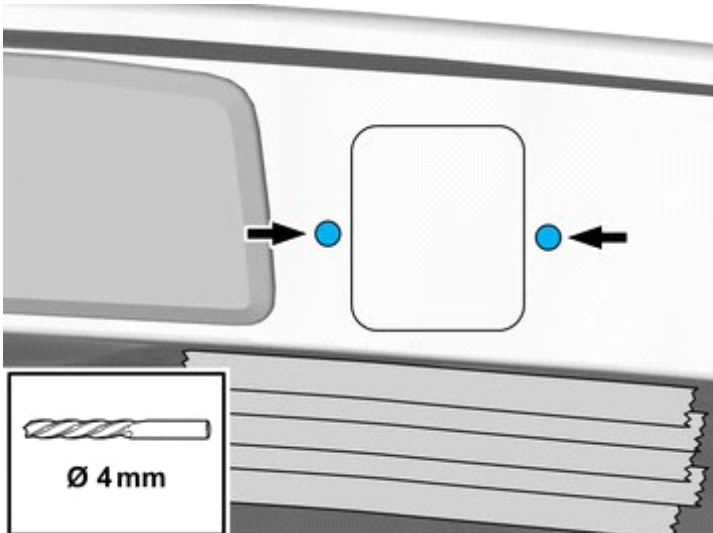
IMG-402051

Caution!

Make sure to protect adjacent surfaces or components.

Use tape

25



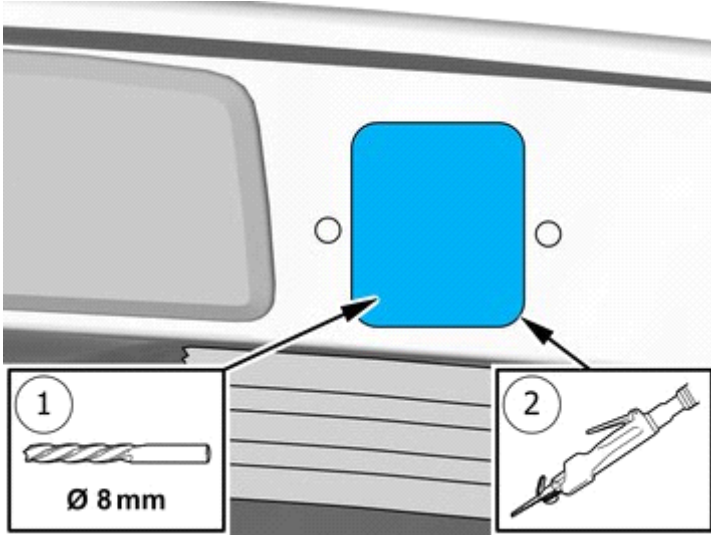
IMG-402046



Installation instructions, accessories

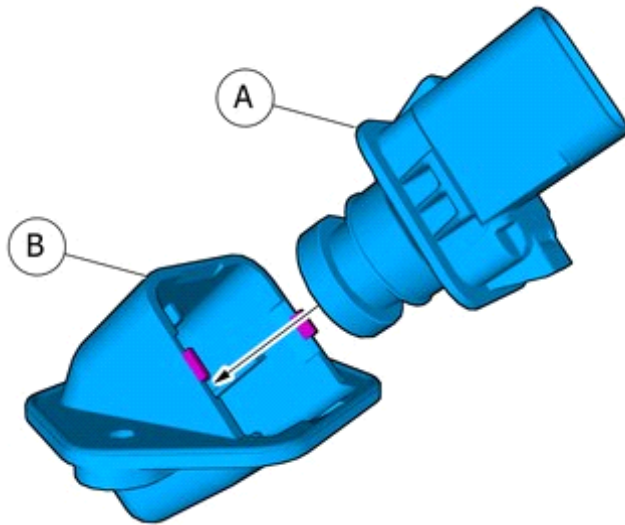
Volvo Car Corporation Gothenburg, Sweden

26



IMG-402048

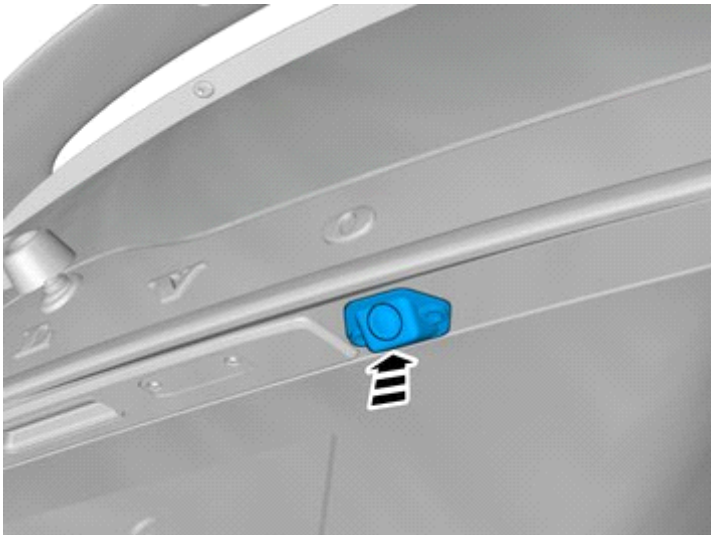
27



IMG-389402

Note!
Note the position.

28



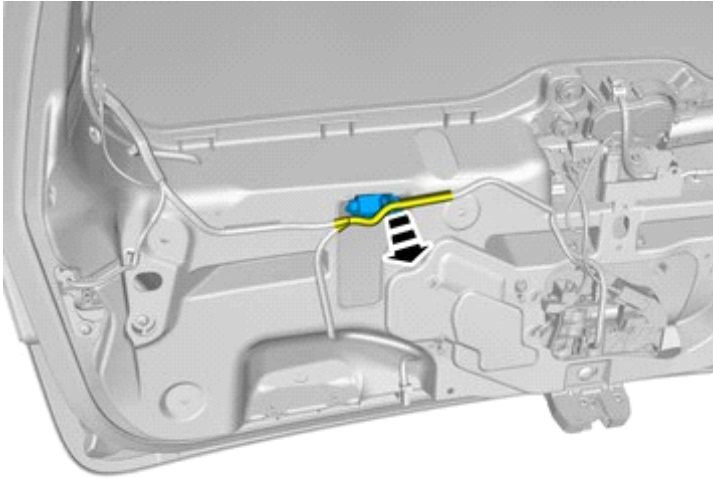
IMG-389380



Installation instructions, accessories

Volvo Car Corporation Gothenburg, Sweden

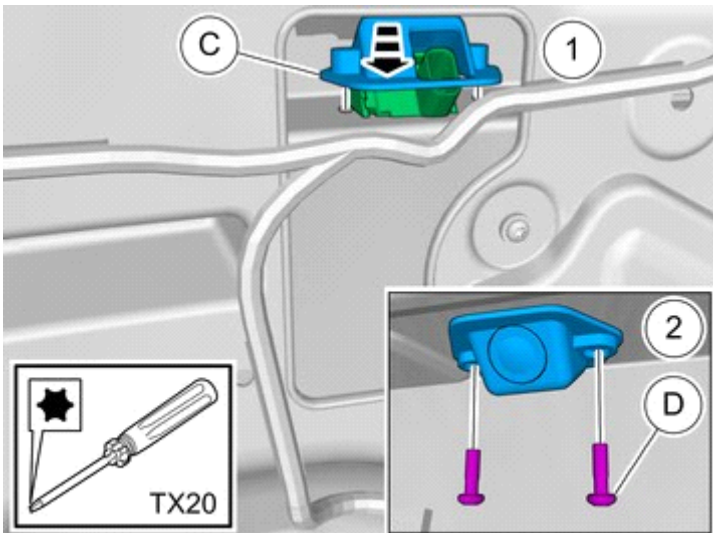
29



Loosen the wiring harness or move it to the side.

IMG-389429

30



1. Install component that comes with the accessory kit.
2. Install the screws.

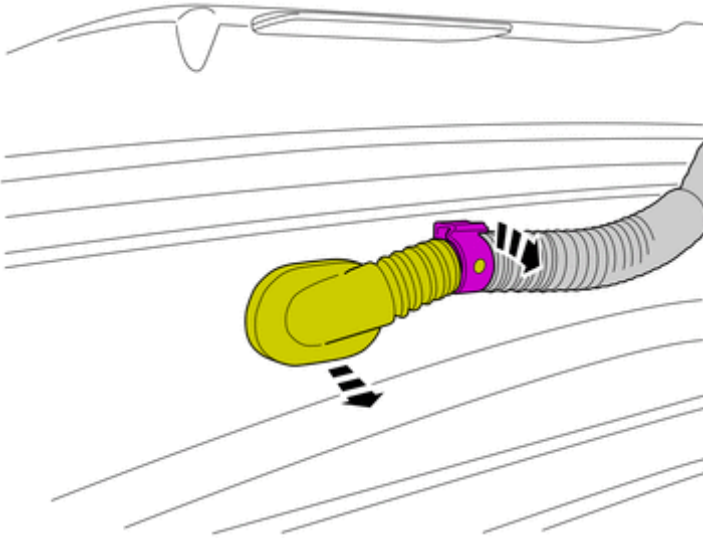
IMG-389794



Installation instructions, accessories

Volvo Car Corporation Gothenburg, Sweden

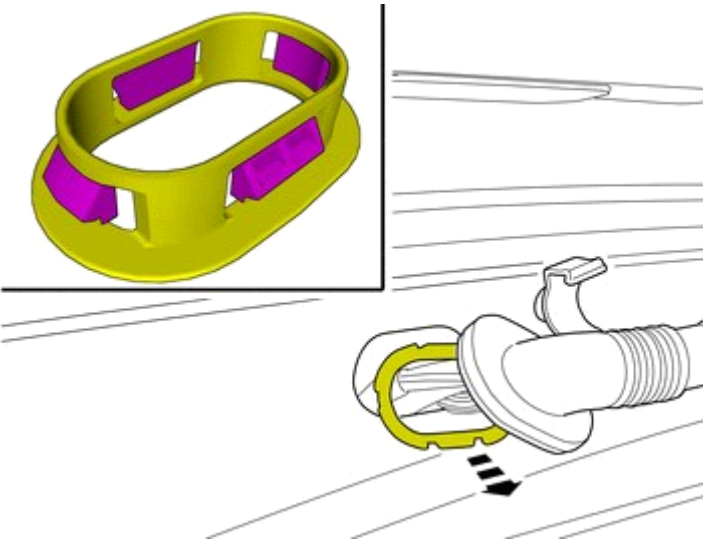
31



Repeat on the other side.

IMG-402001

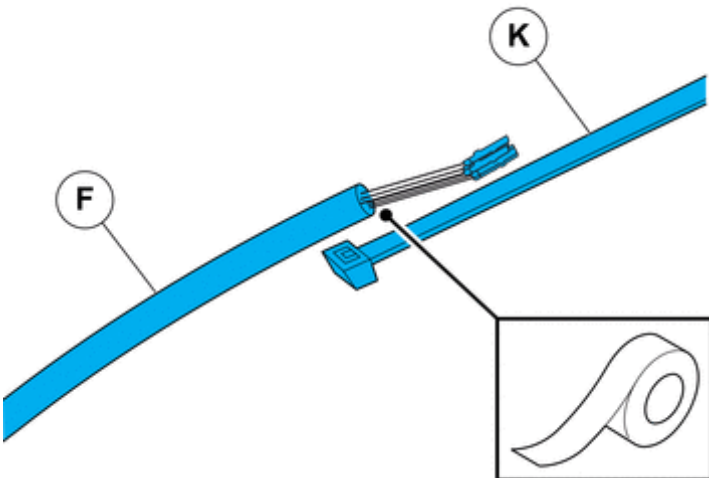
32



Repeat on the other side.

IMG-401994

33



Tape the cables on the cable tie.

Use: , Electrical tape

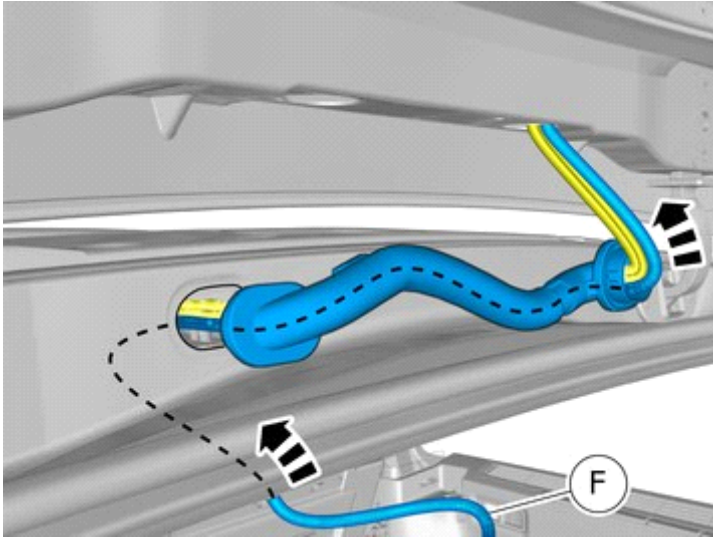
IMG-402055



Installation instructions, accessories

Volvo Car Corporation Gothenburg, Sweden

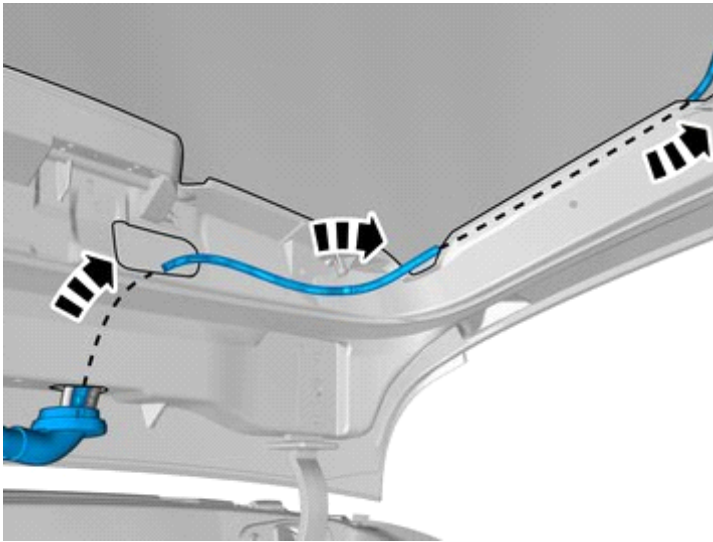
34



IMG-402056

Pull the wiring through.

35



IMG-389588

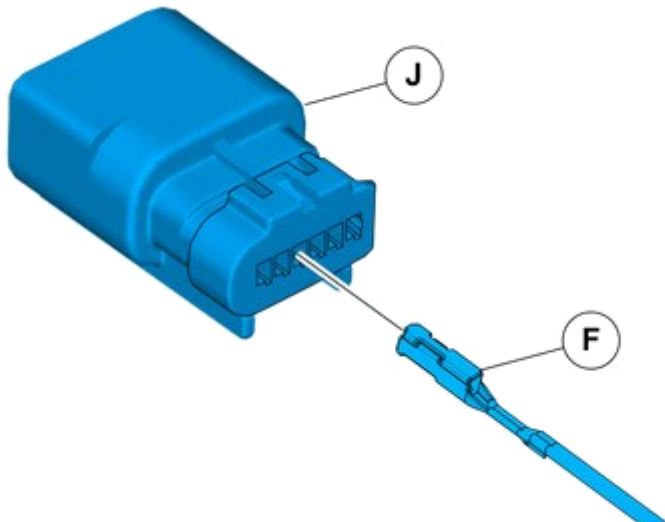
Caution!

Ensure that the wire or wiring harness cannot rub against adjacent components.

Pull the wiring through.

Remove the cable tie(s).

36



IMG-401912



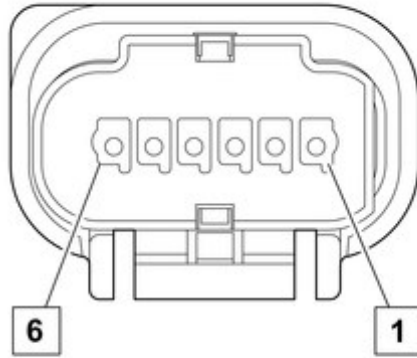
Installation instructions, accessories

Volvo Car Corporation Gothenburg, Sweden

37

Connect the cable harness terminals in the connector as follows.

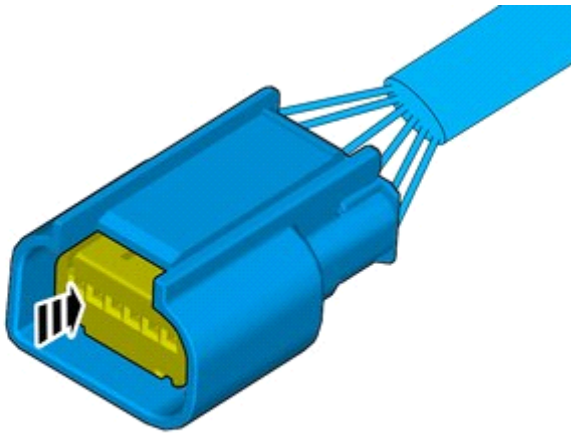
- Pos.**
- 1 YE-BU**
 - 2 GY-VT**
 - 3 VT-GN**
 - 4 WH**
 - 5 BK-WH**
 - 6 BK-GN**



IMG-399835

38

Depress the secondary lock.



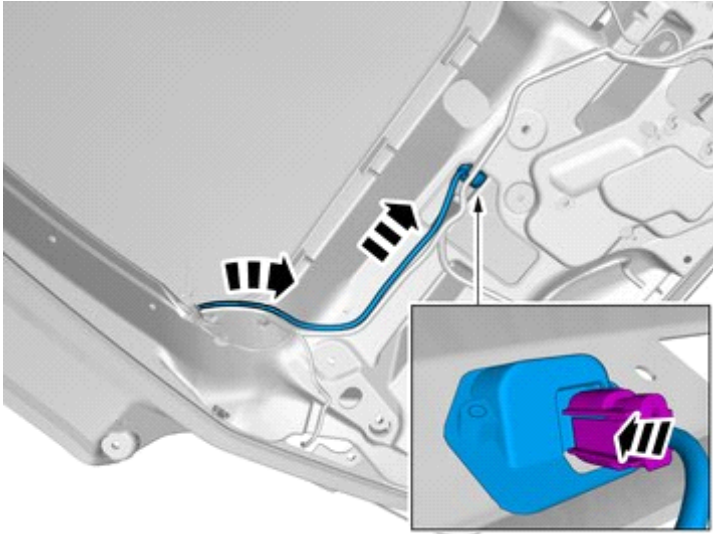
IMG-401095



Installation instructions, accessories

Volvo Car Corporation Gothenburg, Sweden

39



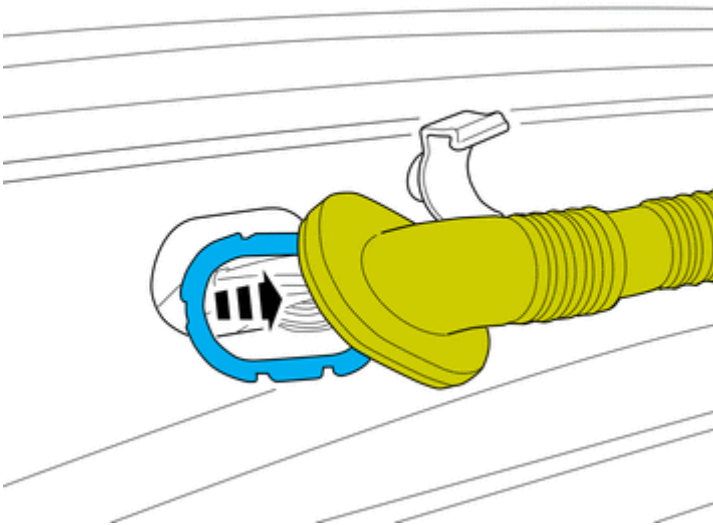
IMG-389796

Connect the connector.

Clamp the cables and connectors to the existing cables to prevent noise.

Installation

40



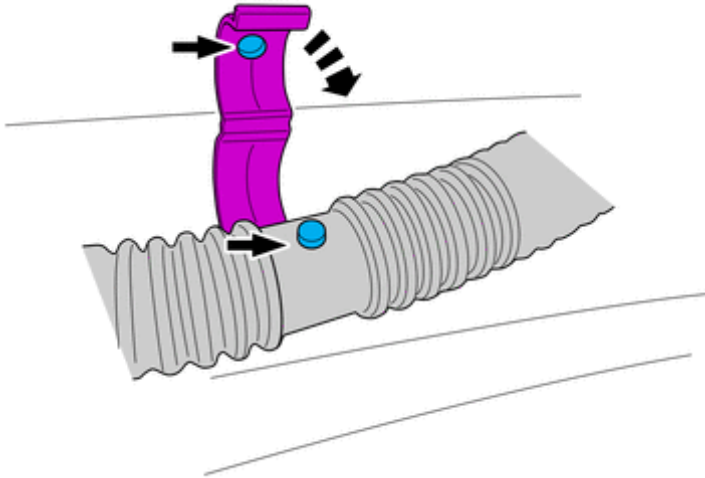
IMG-402060



Installation instructions, accessories

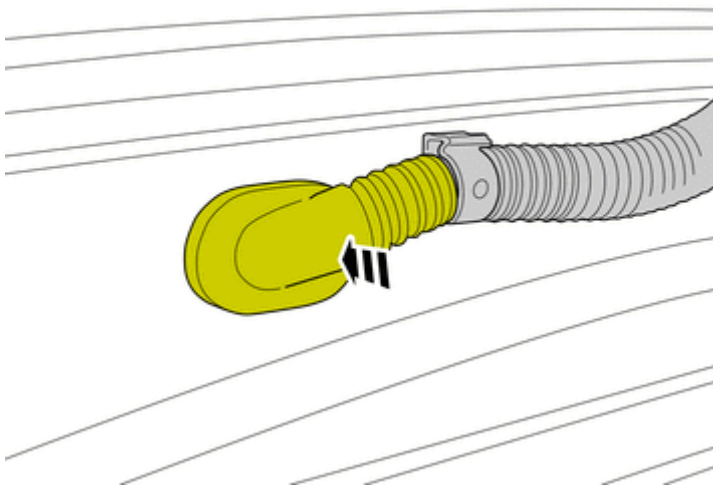
Volvo Car Corporation Gothenburg, Sweden

41



IMG-402075

42



IMG-402070

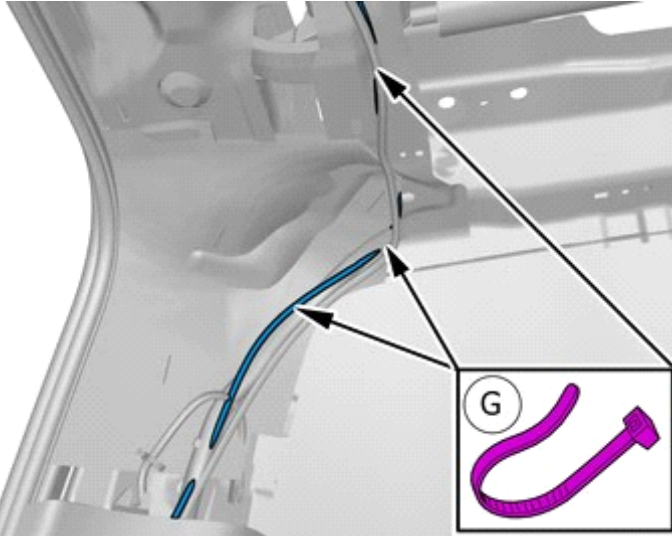
Accessory installation



Installation instructions, accessories

Volvo Car Corporation Gothenburg, Sweden

43



IMG-399270

Caution!

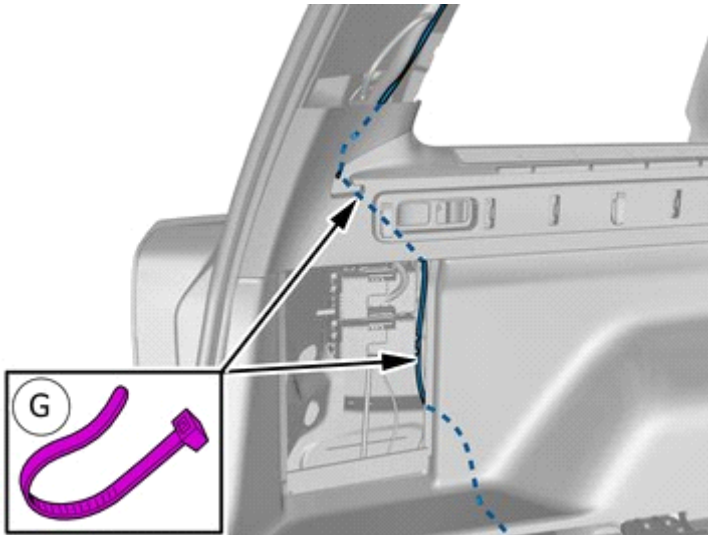
Ensure that the wire or wiring harness cannot rub against adjacent components.

Route the wire adjacent to existing wirings.

Install the cable.

Use a cable tie

44



IMG-399271

Caution!

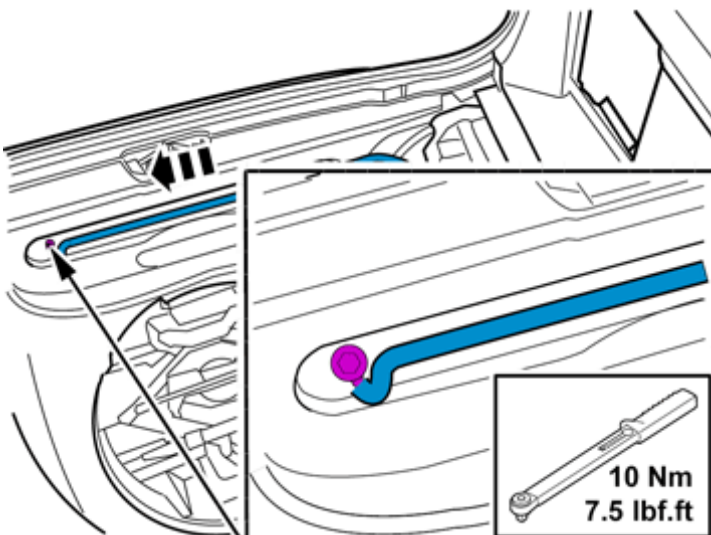
Ensure that the wire or wiring harness cannot rub against adjacent components.

Route the wire adjacent to existing wirings.

Use a cable tie

Install the cable.

45



IMG-353734

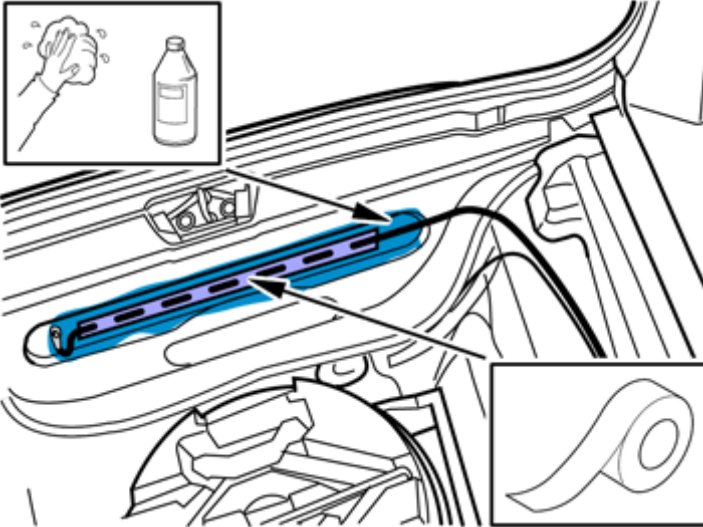
Connect the cable.



Installation instructions, accessories

Volvo Car Corporation Gothenburg, Sweden

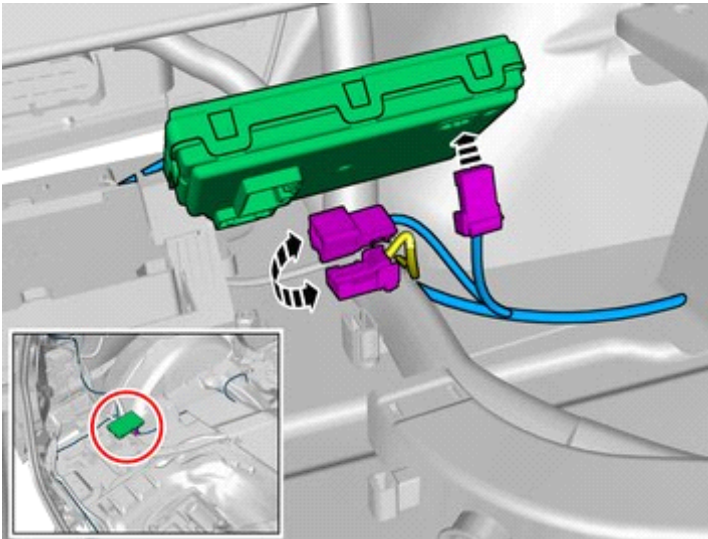
46



IMG-353736

Vehicles with towbar

47



IMG-391287

Note!

Note the position.

Connect the cable harness.

Clamp the cables and connectors to the existing cables to prevent noise.

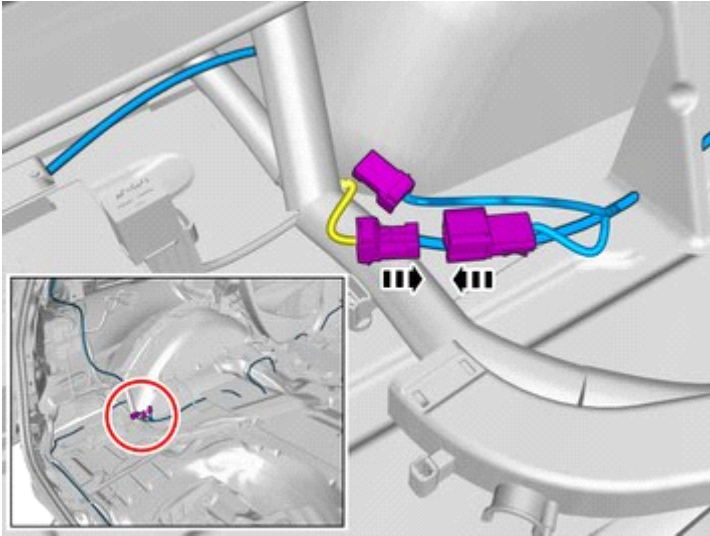
Vehicles without tow hitch.



Installation instructions, accessories

Volvo Car Corporation Gothenburg, Sweden

48



IMG-391291

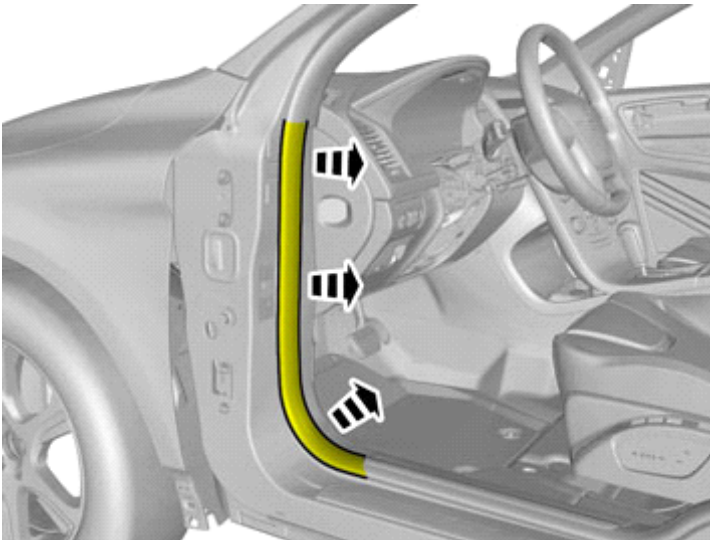
Connect the cable harness.

Clamp the cables and connectors to the existing cables to prevent noise.

All vehicles

Removal

49



IMG-346689

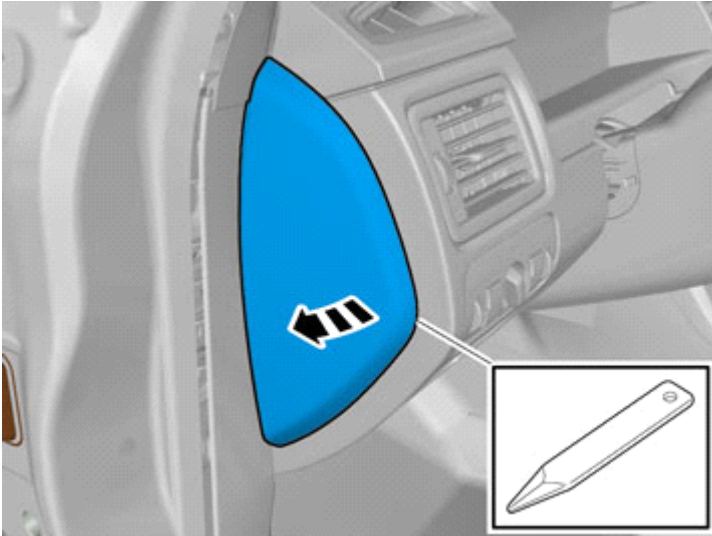
Remove the rubber strip.



Installation instructions, accessories

Volvo Car Corporation Gothenburg, Sweden

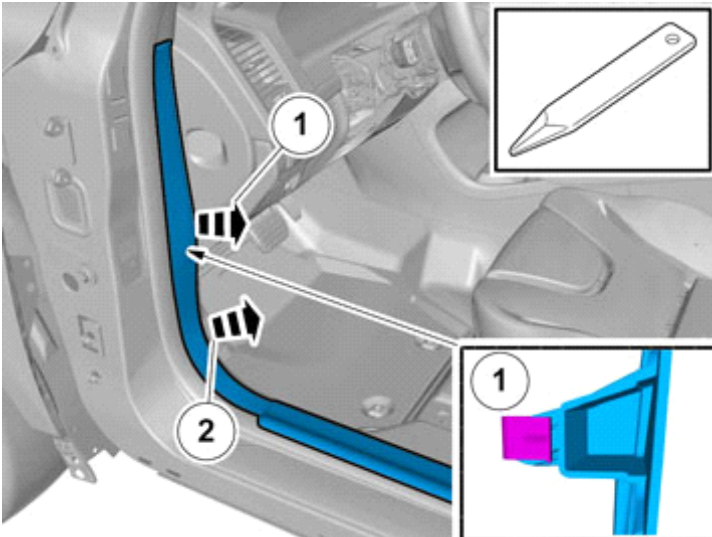
50



IMG-338119

Remove the panel.

51

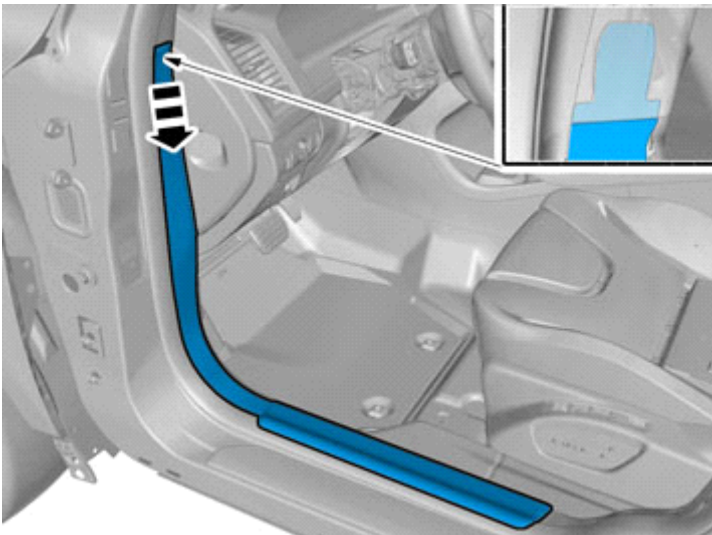


IMG-346676

Caution!

The front and upper sill panel must be removed and installed as one unit.

52



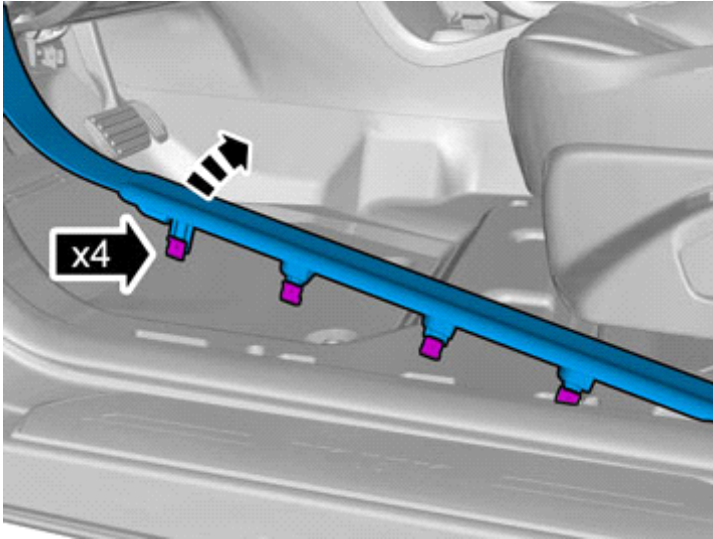
IMG-346681



Installation instructions, accessories

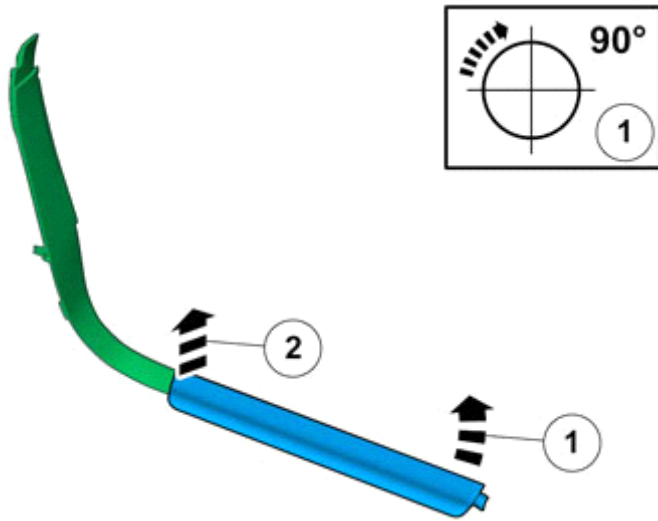
Volvo Car Corporation Gothenburg, Sweden

53



IMG-346677

54



IMG-346682

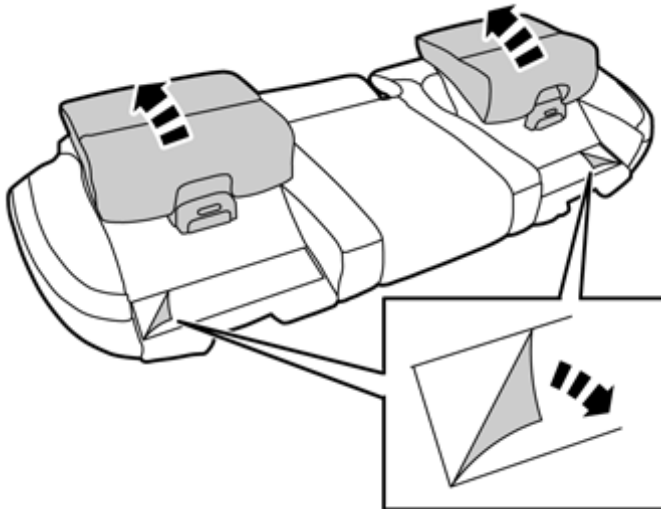
Vehicles with integrated child safety seat



Installation instructions, accessories

Volvo Car Corporation Gothenburg, Sweden

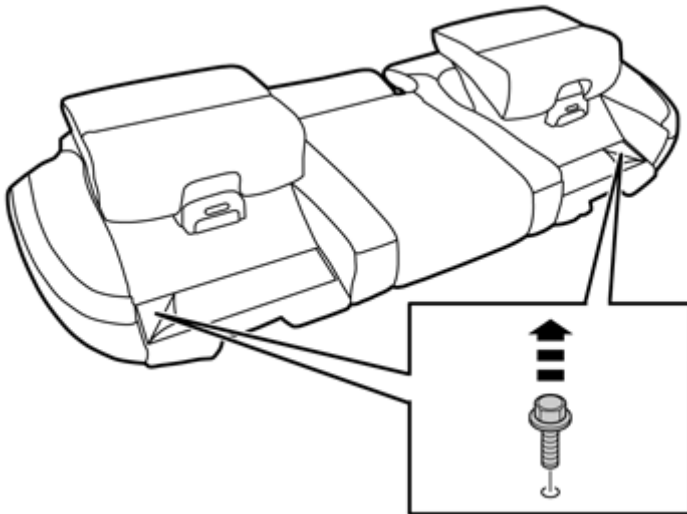
55



IMG-319024

56

Remove the screws.



IMG-319025

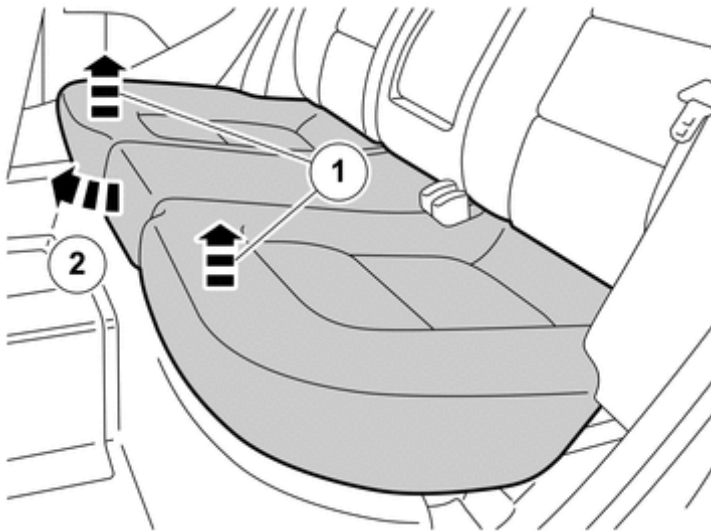
All vehicles



Installation instructions, accessories

Volvo Car Corporation Gothenburg, Sweden

57

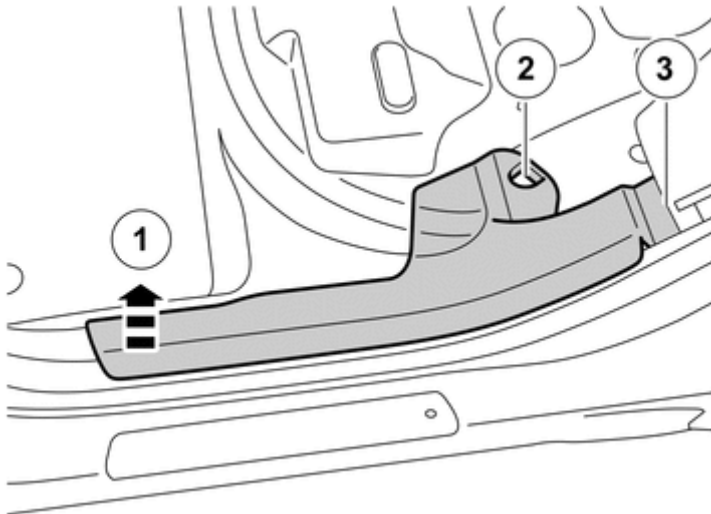


IMG-402030

Remove the marked part.

Check that the fasteners are undamaged before installation. If not, they must be replaced with new ones.

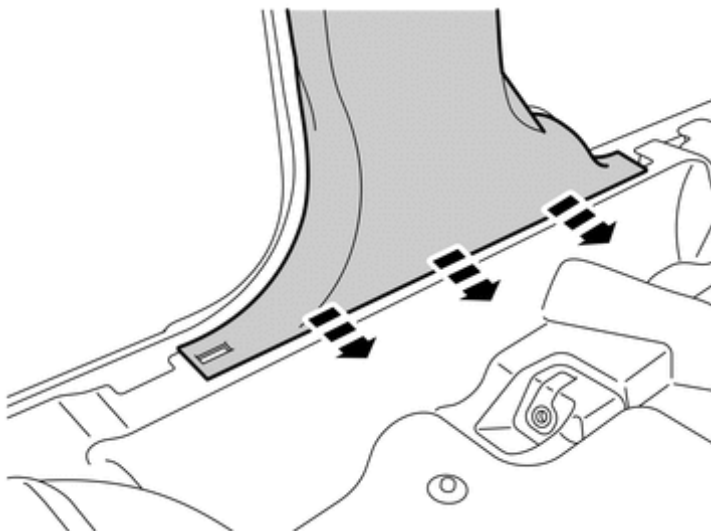
58



IMG-402031

Remove the panel.

59



IMG-402025

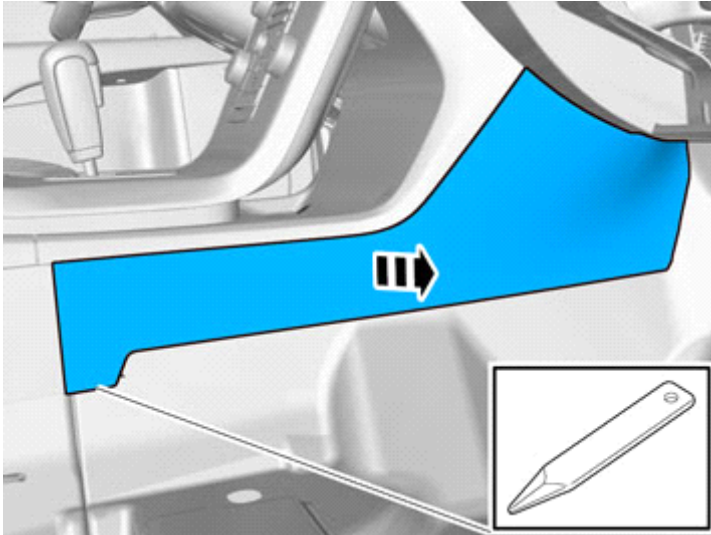
Detach the panel.



Installation instructions, accessories

Volvo Car Corporation Gothenburg, Sweden

60

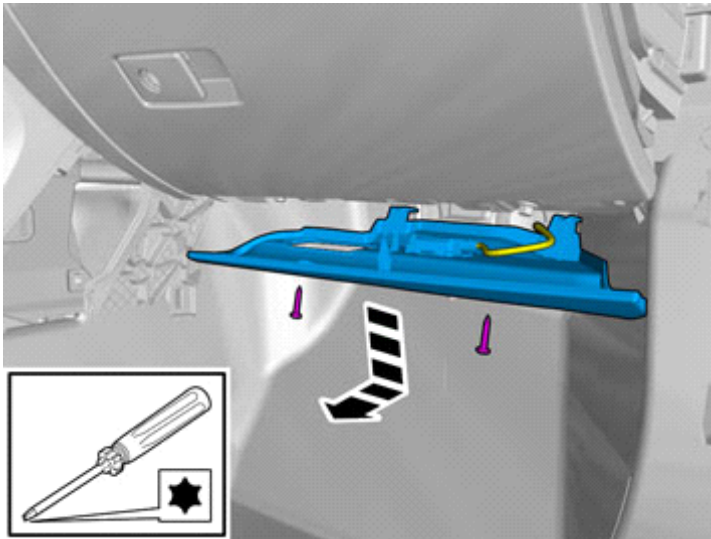


IMG-347139

Remove the panel.

When removing on right-hand drive cars, perform the procedures on the opposite side and/or mirrored.

61

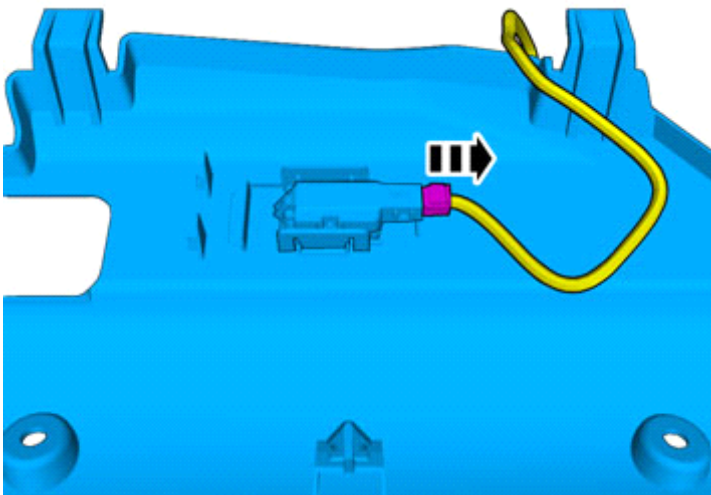


IMG-355521

Remove the screws.

Detach the panel.

62



IMG-355519

Disconnect the connector.

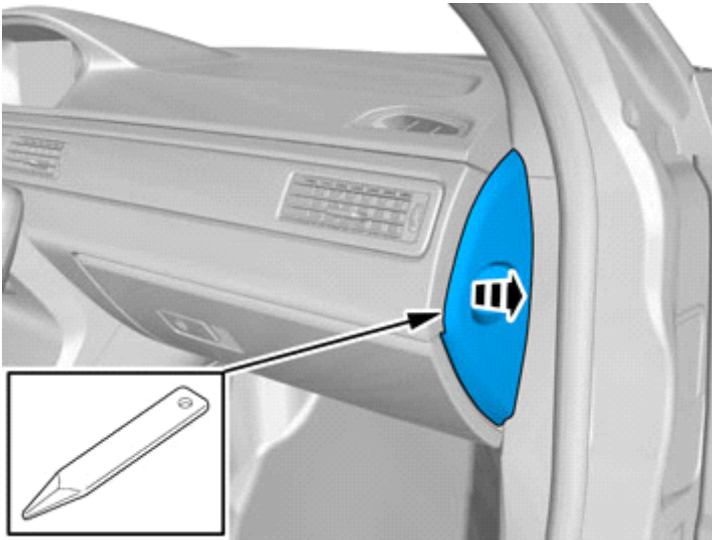
Remove the panel.



Installation instructions, accessories

Volvo Car Corporation Gothenburg, Sweden

63

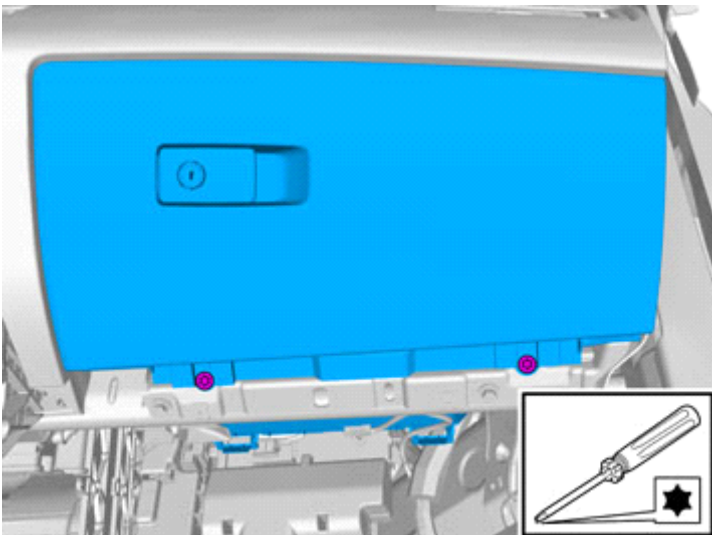


IMG-354313

Remove the panel.

Disconnect the connector, if applicable.

64



IMG-357381

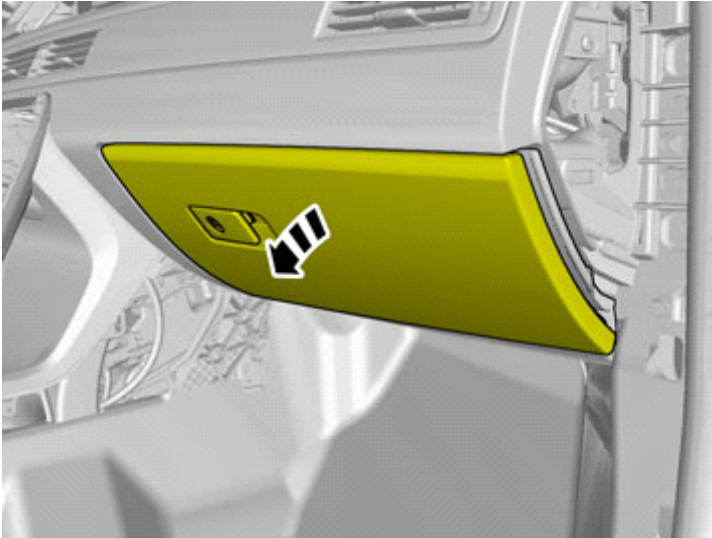
Remove the screws.



Installation instructions, accessories

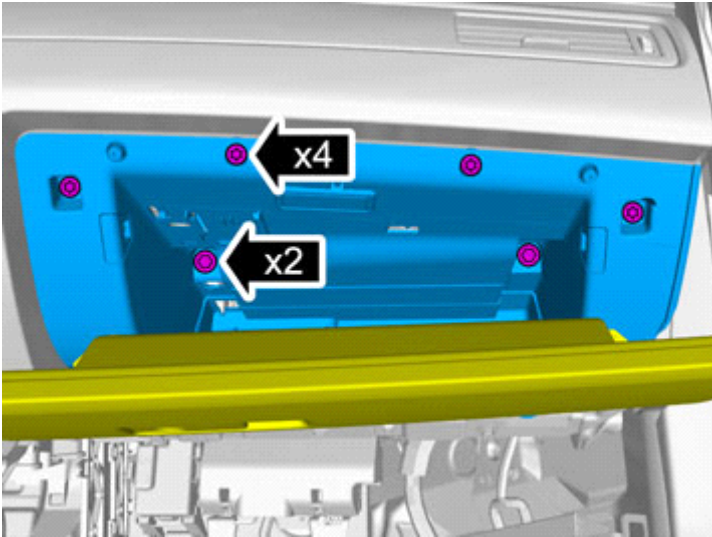
Volvo Car Corporation Gothenburg, Sweden

65



IMG-373498

66



IMG-357380

Remove the screws.

Note the position.

67



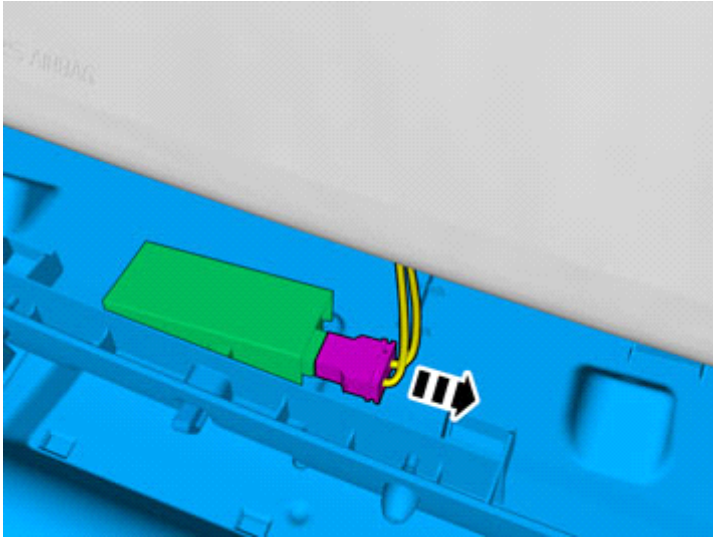
IMG-373518



Installation instructions, accessories

Volvo Car Corporation Gothenburg, Sweden

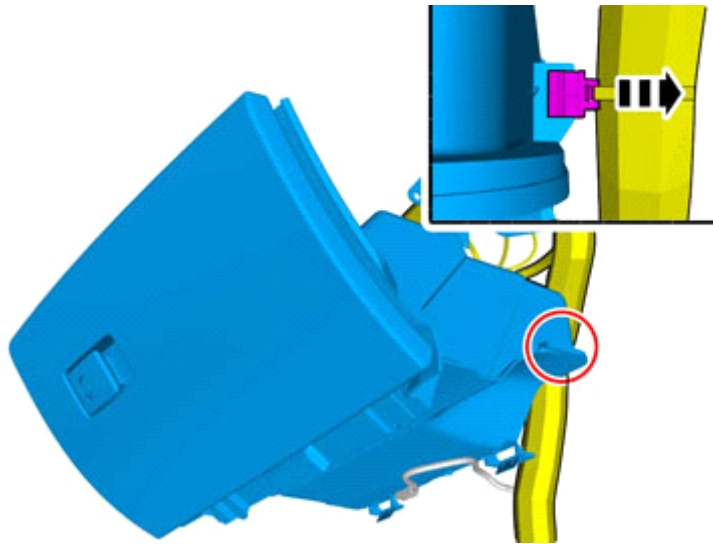
68



IMG-356889

Disconnect the connector.

69



IMG-357382

Unhook the cable harness clips.

70



IMG-373518

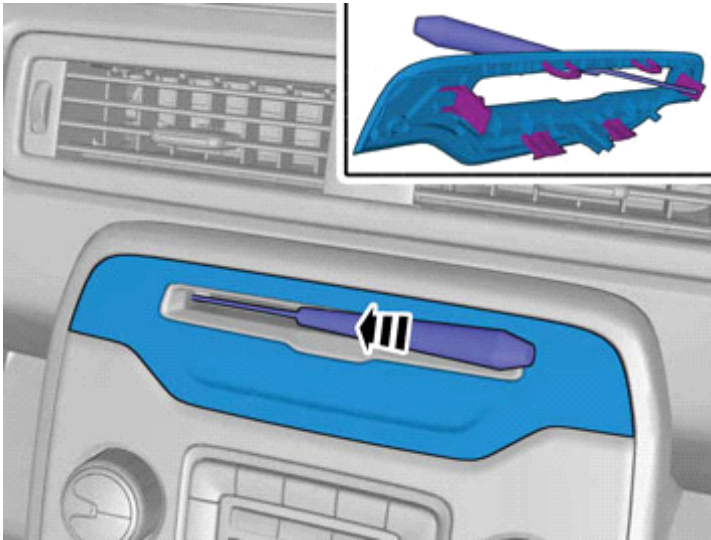
Remove the marked part.



Installation instructions, accessories

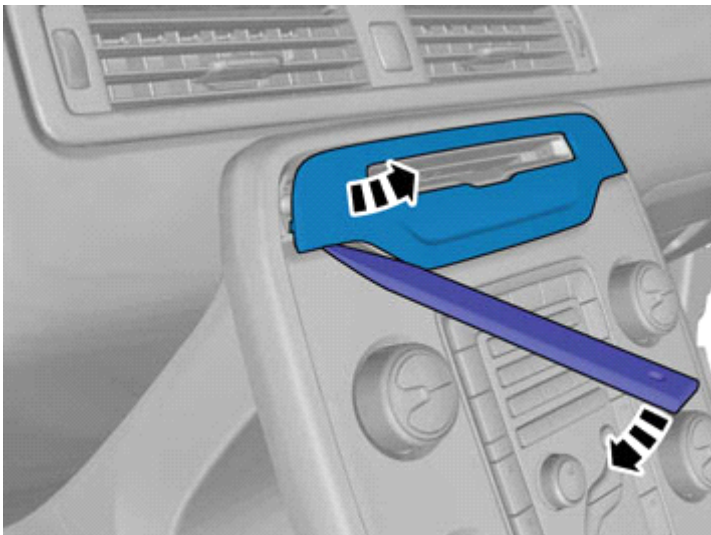
Volvo Car Corporation Gothenburg, Sweden

71



IMG-354292

72



IMG-354291

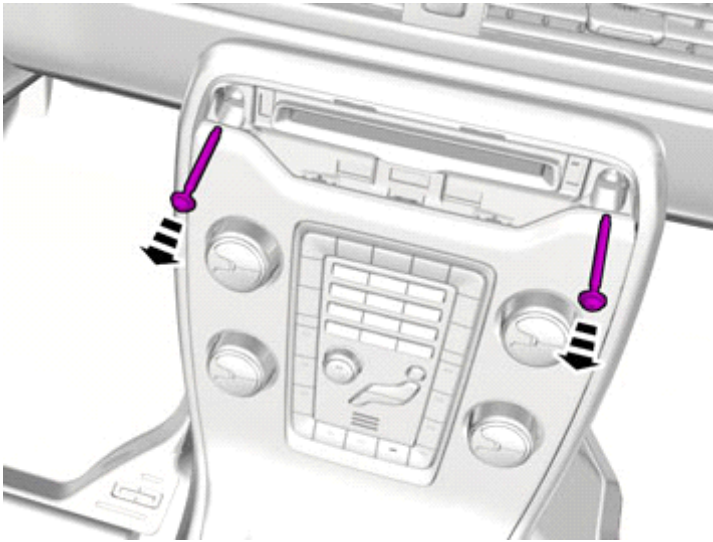
Remove the panel.



Installation instructions, accessories

Volvo Car Corporation Gothenburg, Sweden

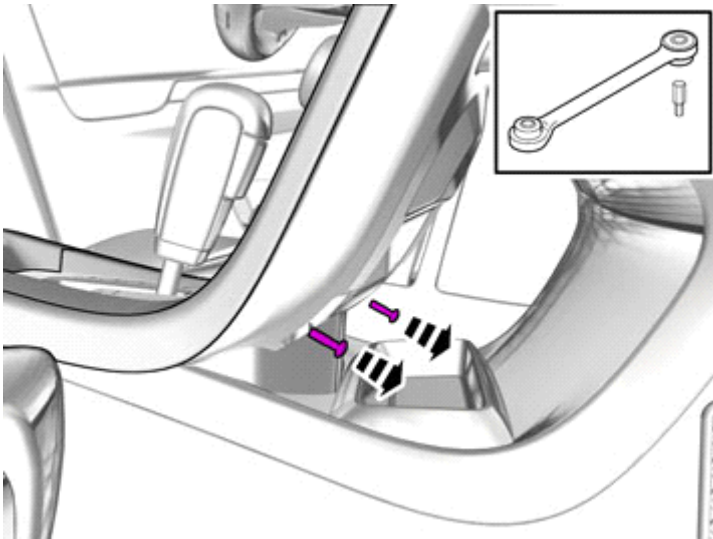
73



IMG-349806

Remove the screws.

74



IMG-345282

Remove the screws.

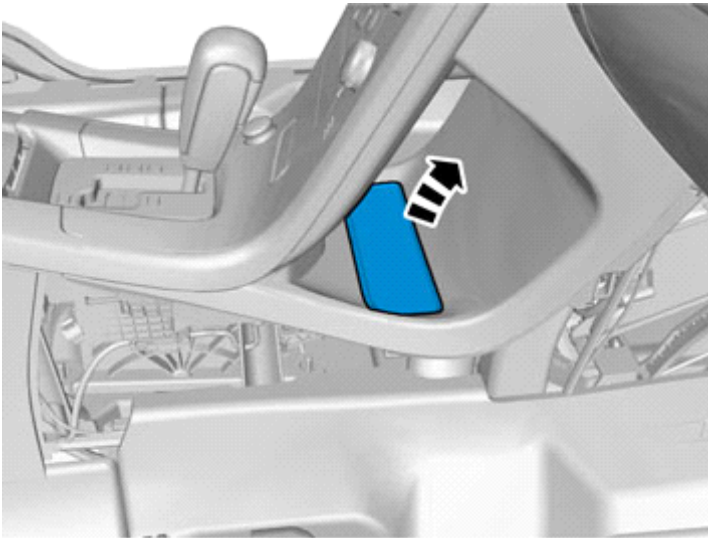
Cars with automatic transmissions



Installation instructions, accessories

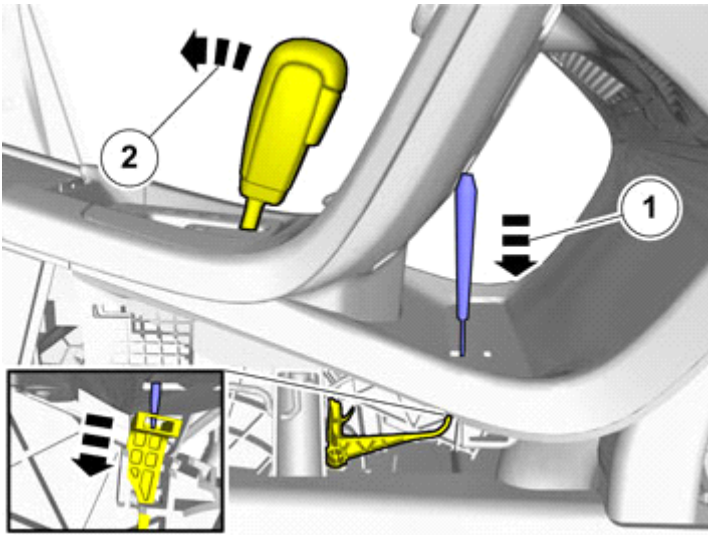
Volvo Car Corporation Gothenburg, Sweden

75



IMG-293006

76



IMG-293007

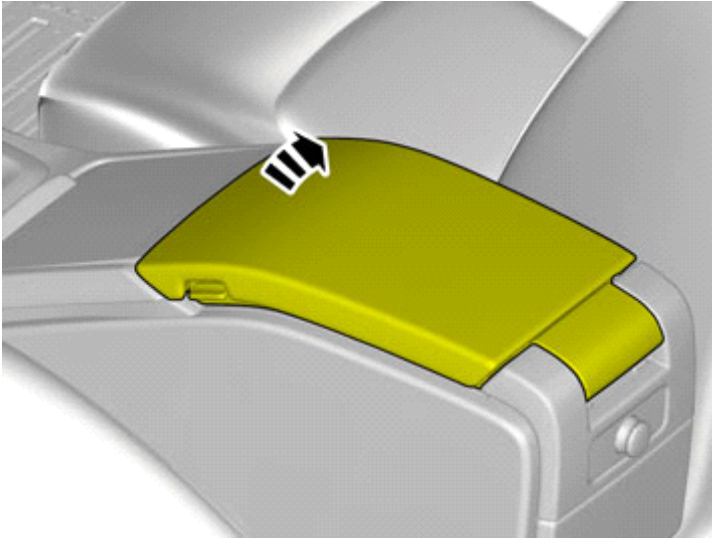
All vehicles



Installation instructions, accessories

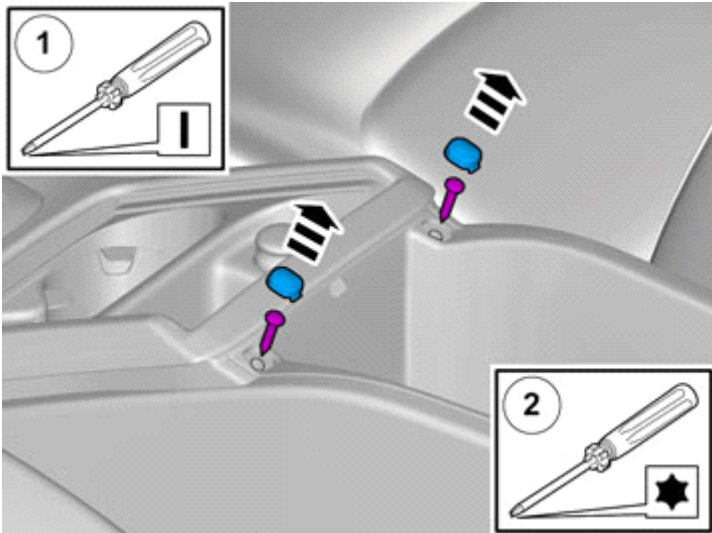
Volvo Car Corporation Gothenburg, Sweden

77



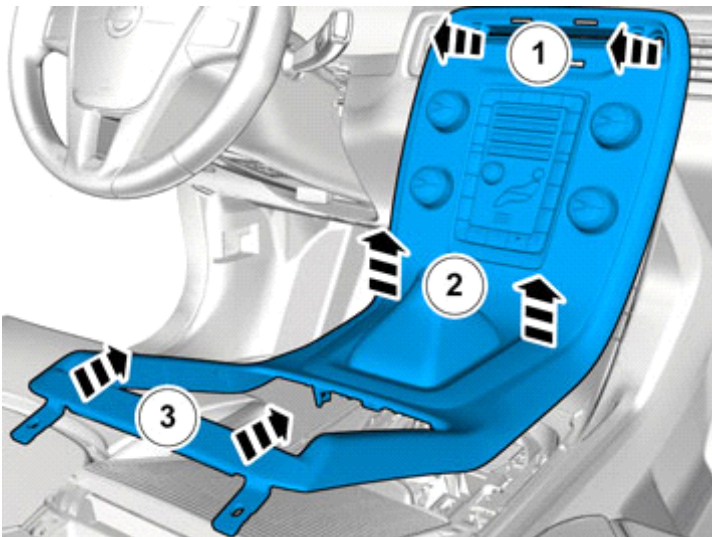
IMG-353601

78



IMG-353602

79



IMG-349826

Caution!

Be careful not to damage the catches.

Detach the panel.



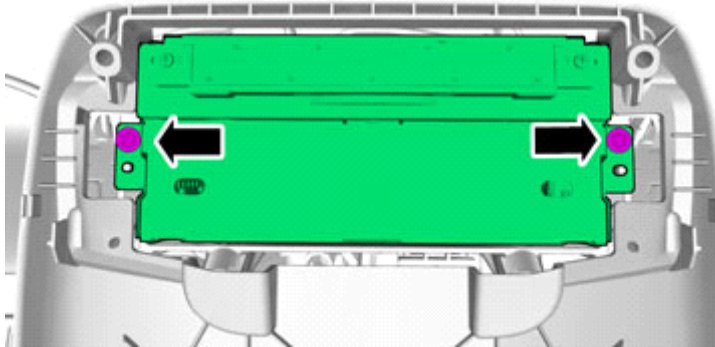
Installation instructions, accessories

Volvo Car Corporation Gothenburg, Sweden

80

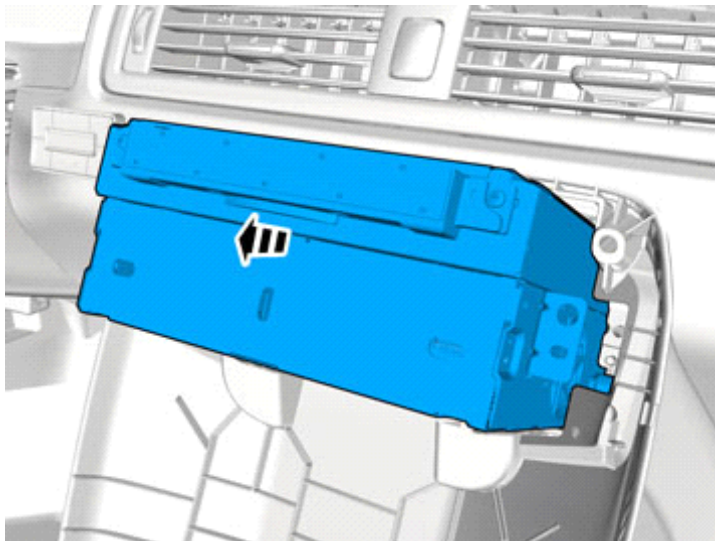


Remove the screws.



IMG-349942

81



IMG-349946

Accessory installation

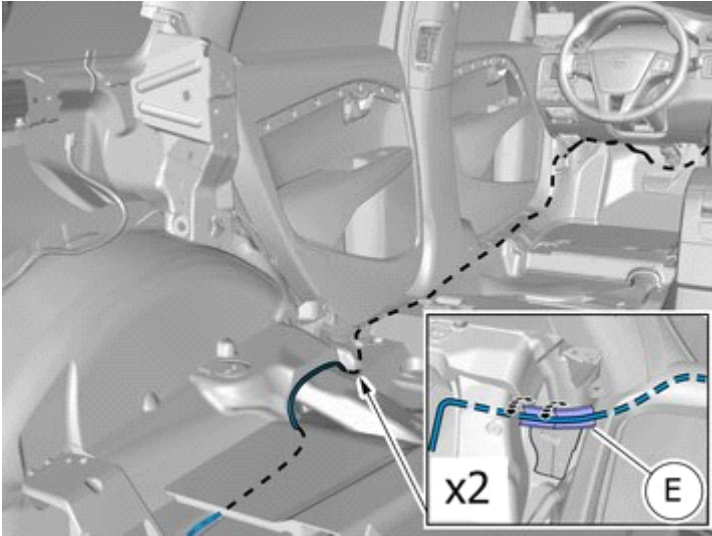
Left hand drive vehicles



Installation instructions, accessories

Volvo Car Corporation Gothenburg, Sweden

82



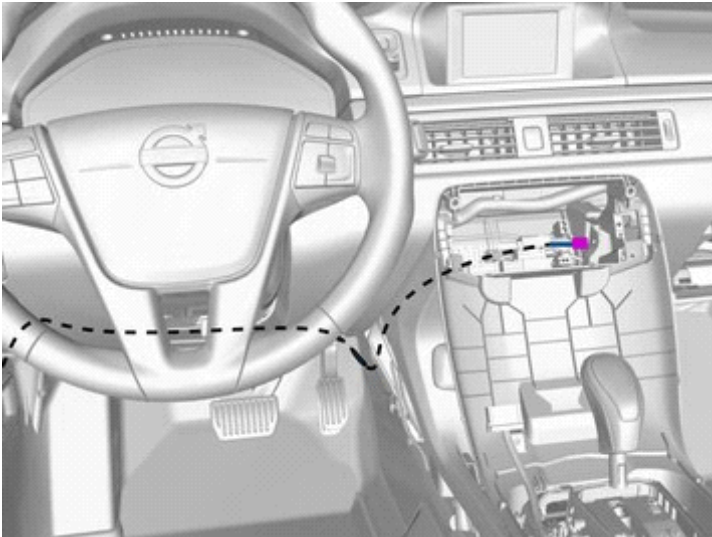
IMG-390146

Caution!

Ensure that the wire or wiring harness cannot rub against adjacent components.

Position/route the cable harness as illustrated.

83



IMG-390151

Caution!

Ensure that the wire or wiring harness cannot rub against adjacent components.

Route the wire adjacent to existing wirings.

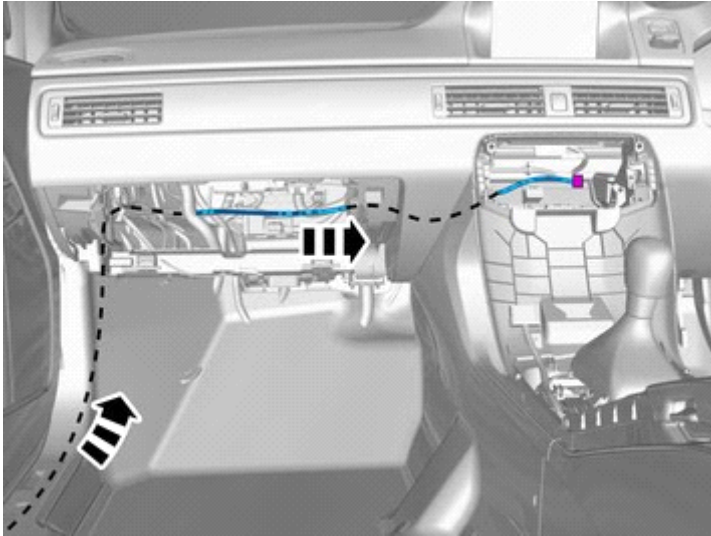
Right-hand drive vehicles



Installation instructions, accessories

Volvo Car Corporation Gothenburg, Sweden

84



IMG-390263

Caution!

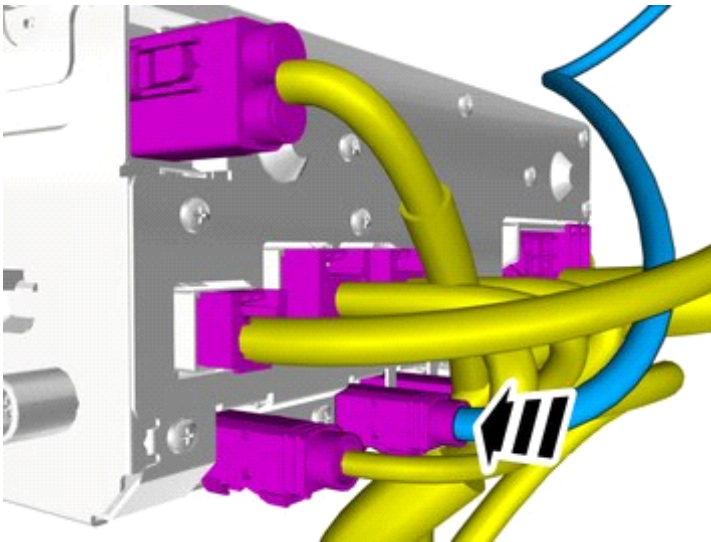
Ensure that the wire or wiring harness cannot rub against adjacent components.

Route the cable harness to the existing cable harness.

Clamp the cables and connectors to the existing cables to prevent noise.

All vehicles

85



IMG-384929

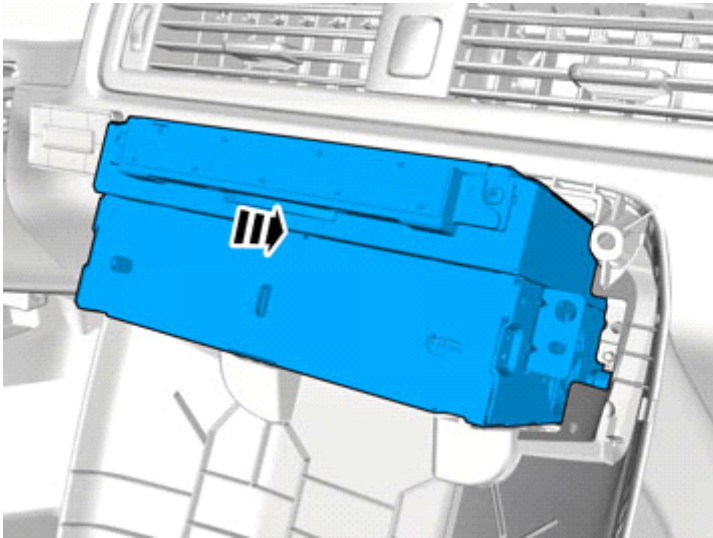
Connect the prerouted cable.



Installation instructions, accessories

Volvo Car Corporation Gothenburg, Sweden

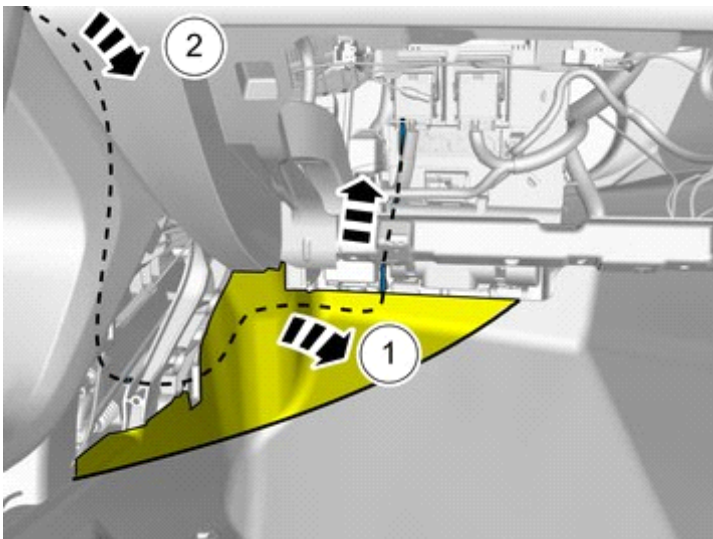
86



IMG-349948

Reinstall the removed part.

87



IMG-390597

Caution!

Ensure that the wire or wiring harness cannot rub against adjacent components.

When installing on right-hand drive cars, perform the procedures on the opposite side and/or mirrored.

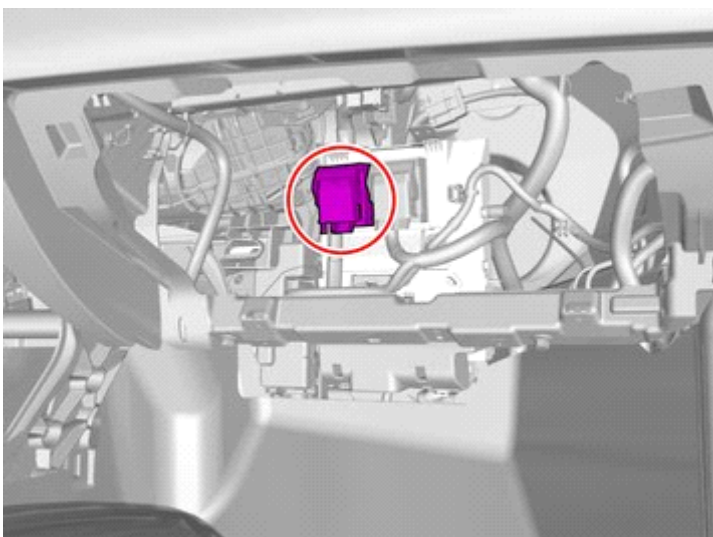
Fold the carpet to the side.

Pull the wiring through.

Route the cable harness to the existing cable harness.

Clamp the cables and connectors to the existing cables to prevent noise.

88



IMG-401933

Note!

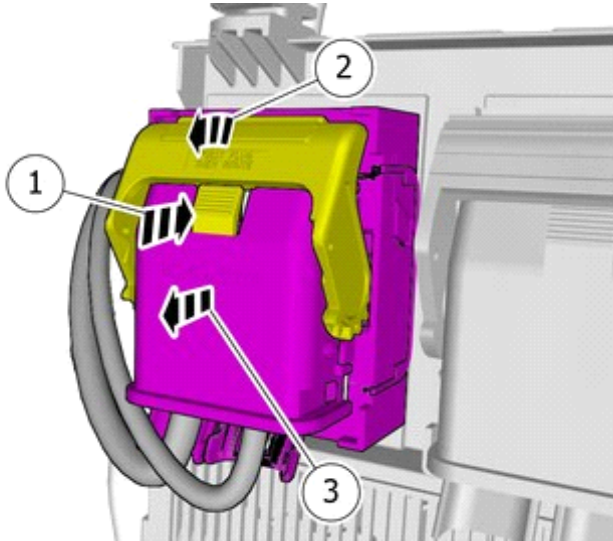
Orientation view



Installation instructions, accessories

Volvo Car Corporation Gothenburg, Sweden

89



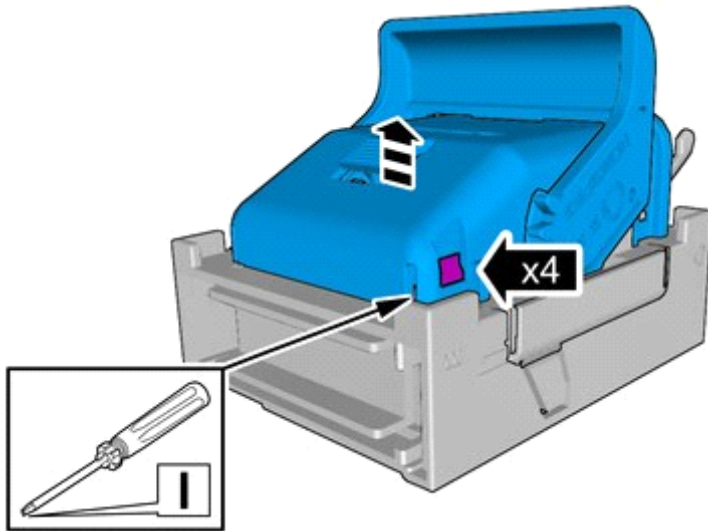
IMG-400319

Depress the locking device.

Release the connector's catch.

Disconnect the connector.

90

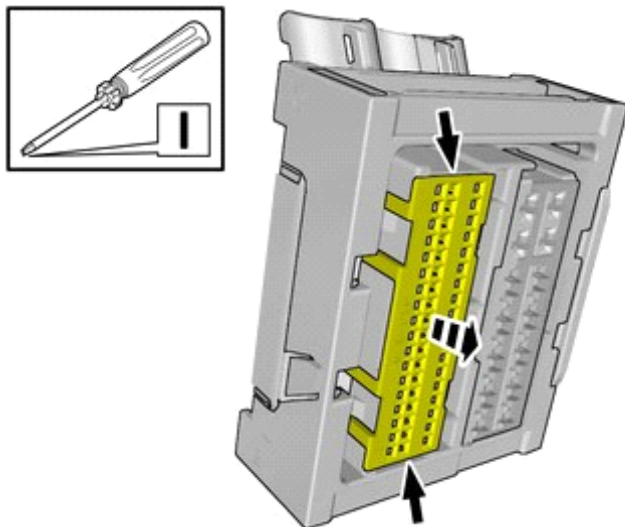


IMG-387423

Release the catches.

Remove the marked part.

91



IMG-400415

Release the connector's secondary lock.

Lift approximately 2 mm.

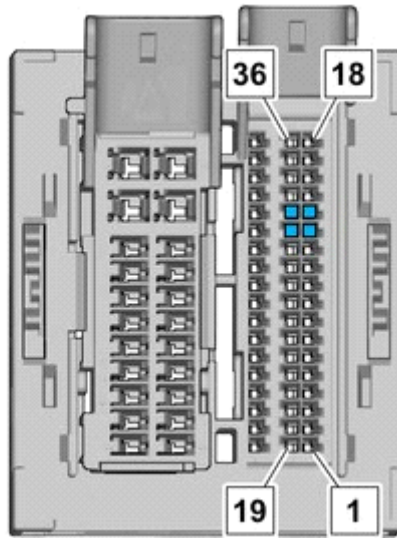


Installation instructions, accessories

Volvo Car Corporation Gothenburg, Sweden

92

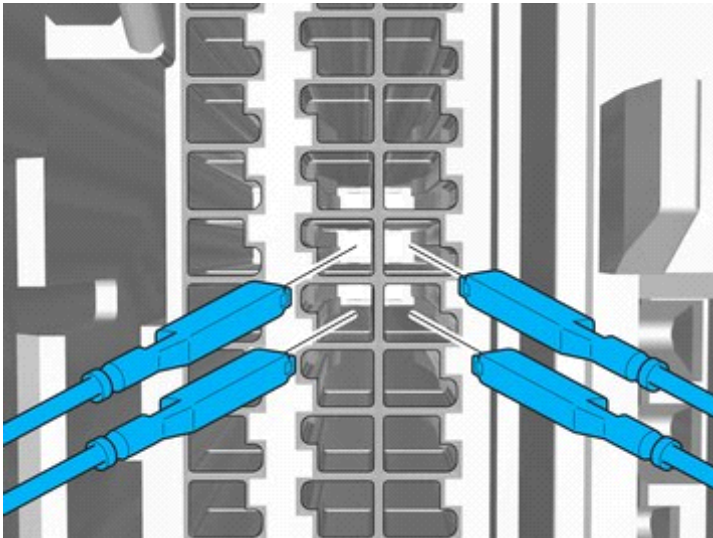
- | Pos. | |
|------|-------|
| 13 | VT-GY |
| 14 | GN-VT |
| 31 | BN-GY |
| 32 | VT-BN |



Connect the cable harness terminals in the connector as follows.

IMG-401921

93



Note!

Note the position.

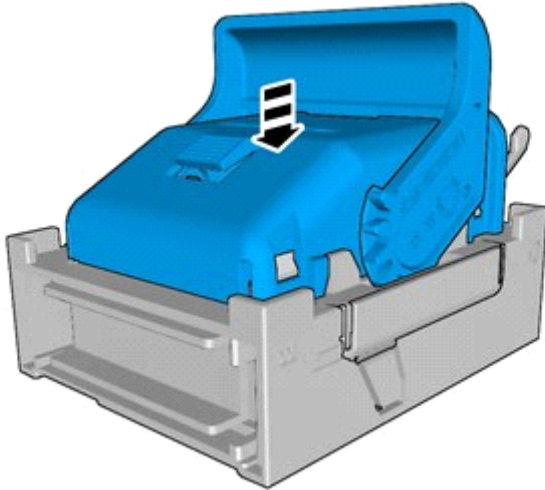
IMG-400381



Installation instructions, accessories

Volvo Car Corporation Gothenburg, Sweden

94

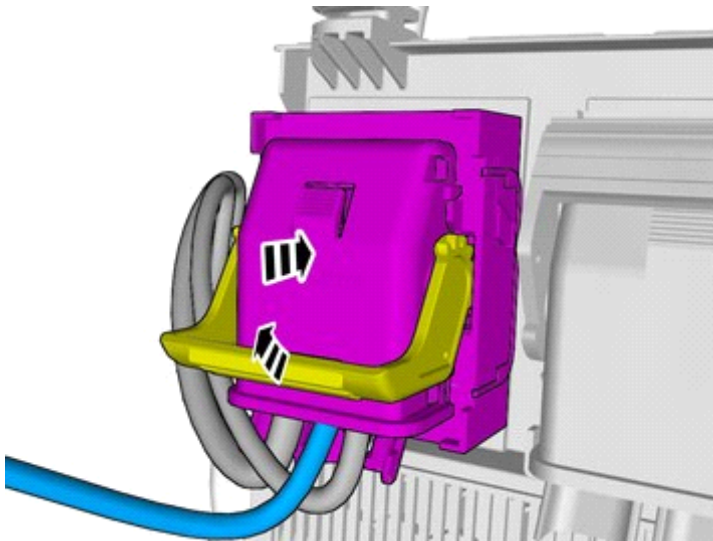


IMG-387424

Reinstall the removed parts in reverse order.

Reinstall the removed part.

95



IMG-400420

Connect the connector.

96

Reinstall the removed parts in reverse order.

IMG-400000



Installation instructions, accessories

Volvo Car Corporation Gothenburg, Sweden

Removal

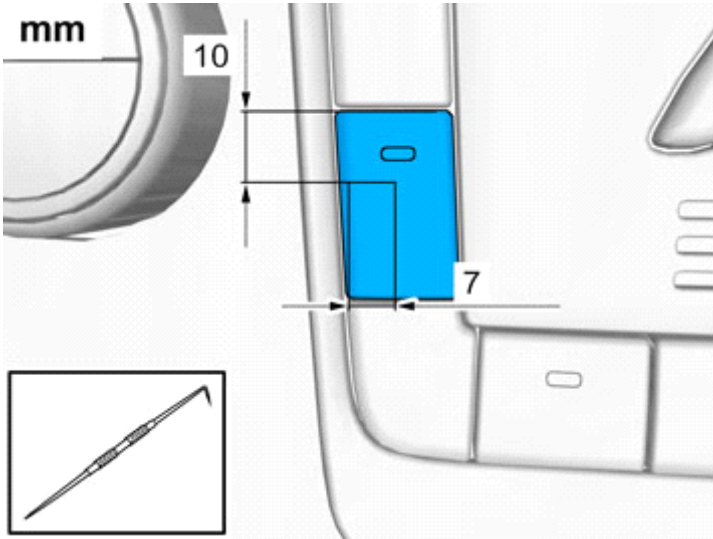
97



IMG-382371

Note!
Orientation view

98



IMG-381005

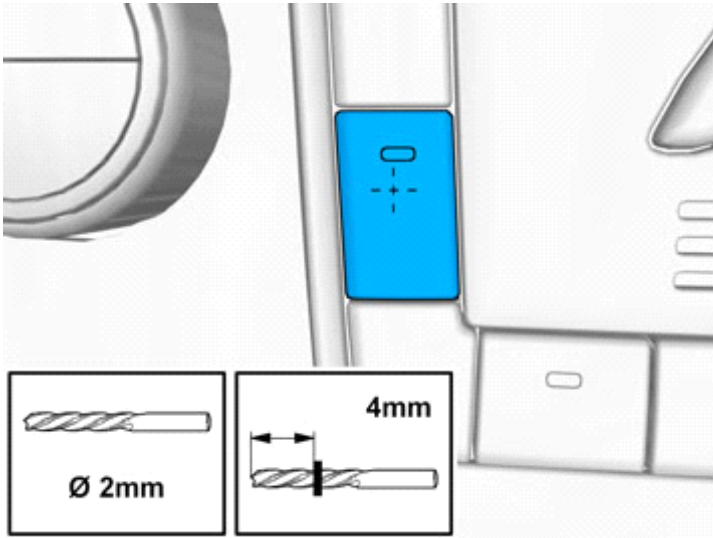
Measure and mark as illustrated.



Installation instructions, accessories

Volvo Car Corporation Gothenburg, Sweden

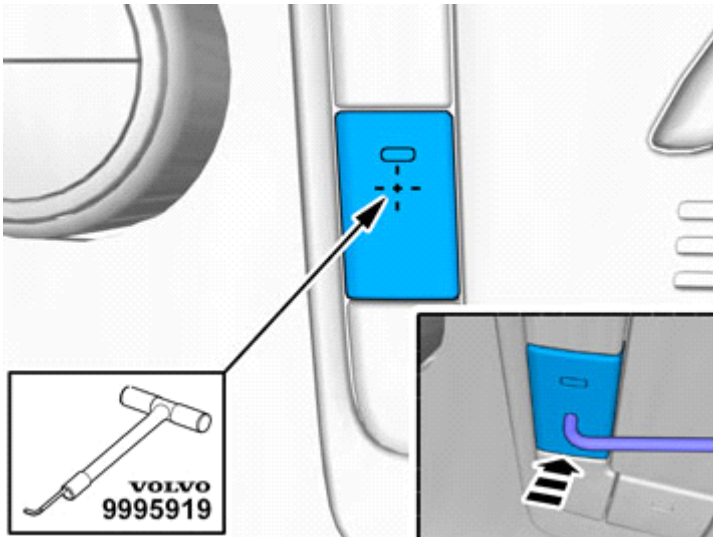
99



IMG-381006

Use a drill with the stated size

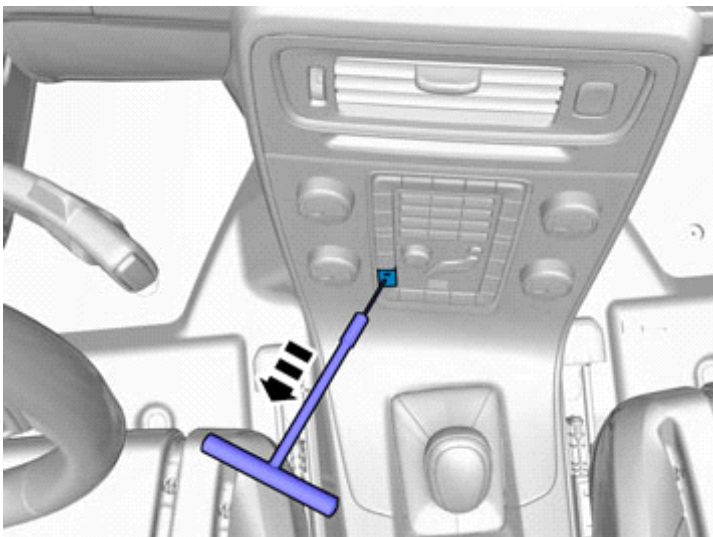
100



IMG-381020

Use special tool: T9995919, PULLER (SEAL-PINION,CAM-CRANKSHAFT)B200-6304

101



IMG-380996

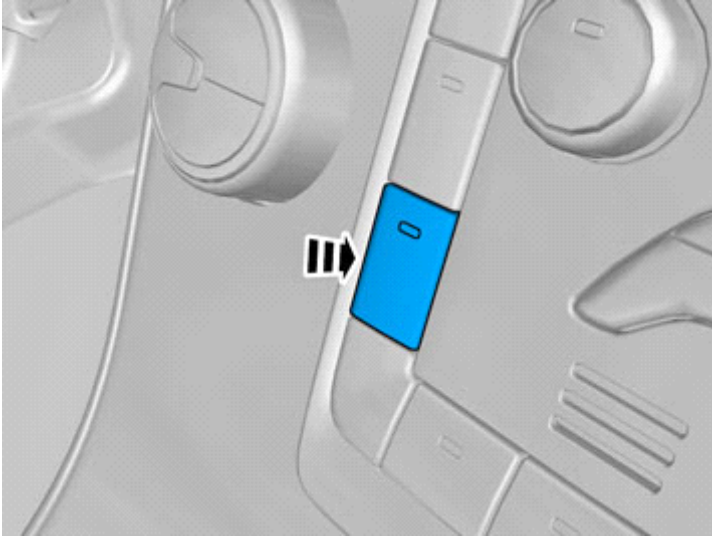


Installation instructions, accessories

Volvo Car Corporation Gothenburg, Sweden

Accessory installation

102



IMG-382374

Install component that comes with the accessory kit.

Installation

103

Reinstall the removed parts in reverse order.

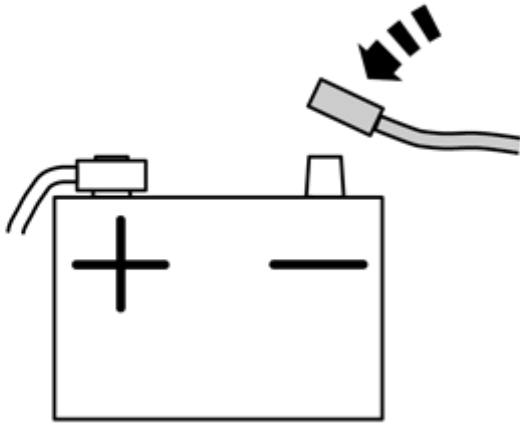
IMG-377070



Installation instructions, accessories

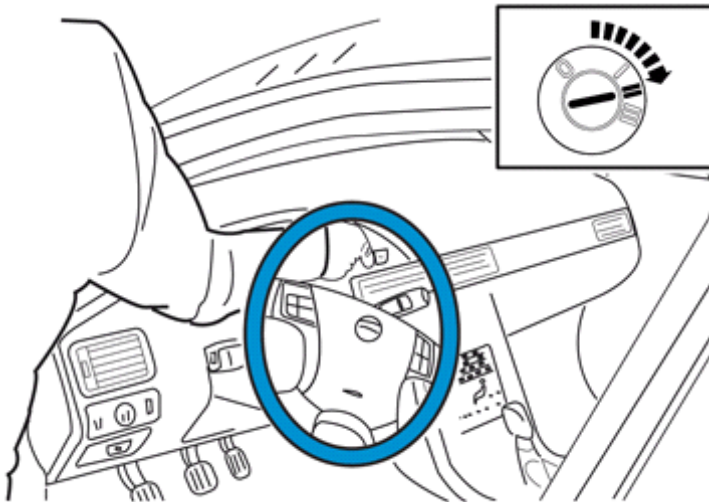
Volvo Car Corporation Gothenburg, Sweden

104



IMG-336901

105

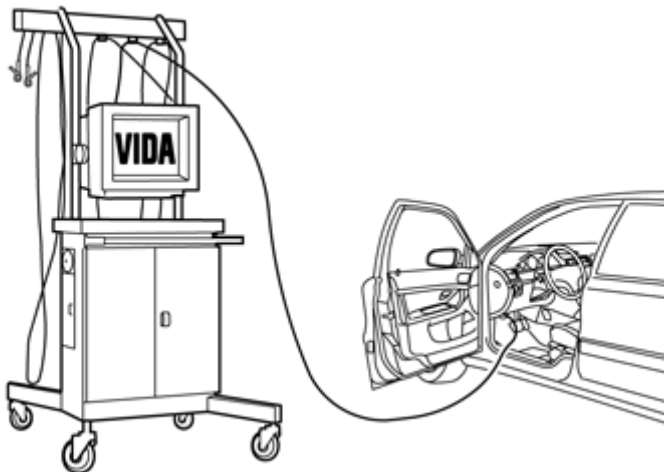


IMG-336904

Warning!

When switching the ignition on for the first time after a battery disconnect and connect, make sure to stand outside the vehicle and only reach into the vehicle keeping clear of the air bag deployment areas.

106



IMG-242268

Download software (application) for the accessory's function according to the service information in VIDA.

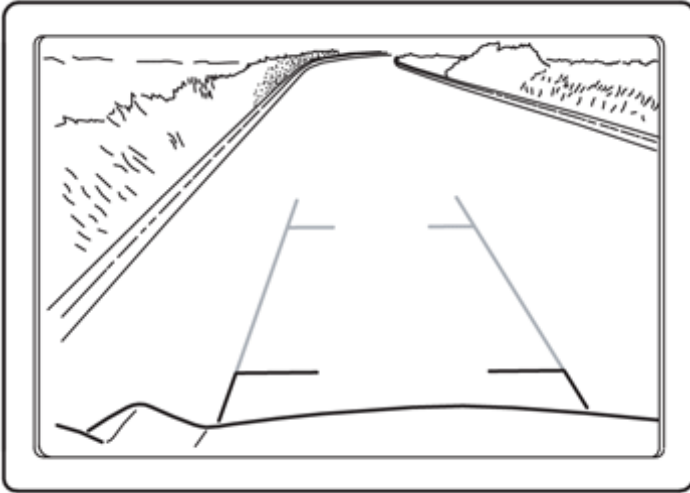
Order and download software according to: 31428822



Installation instructions, accessories

Volvo Car Corporation Gothenburg, Sweden

107



IMG-354602

Warning!

Check for correct operation after the installation.